



**UNISON**

---

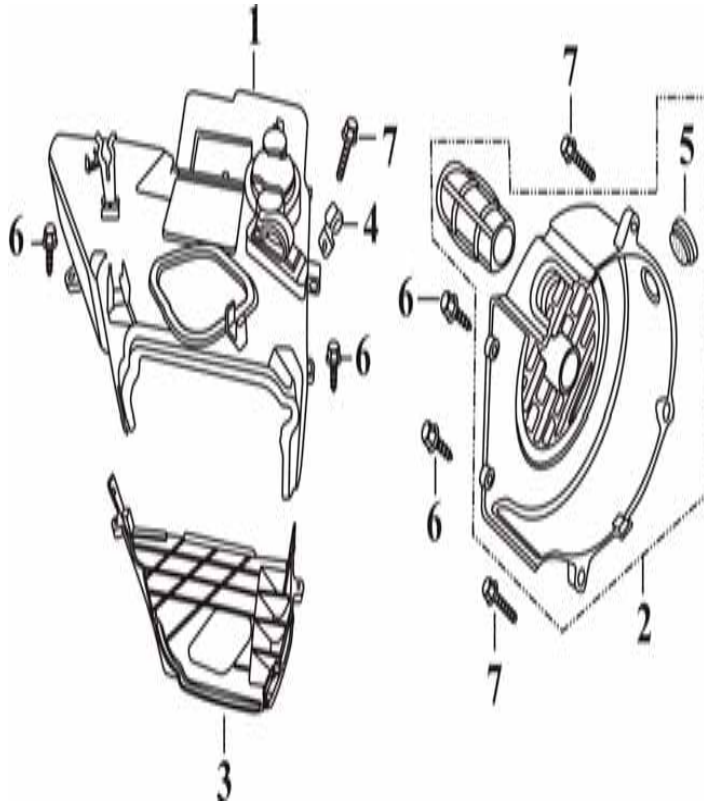
ILLUSTRATED PARTS LIST

**DESERT CAT 150 & BLACK WIDOW 150**

---

MODELS 2004 AND UP (VER.A)

**150cc SERIES**

**M1****FAN COVER & SHROUD****DC150**

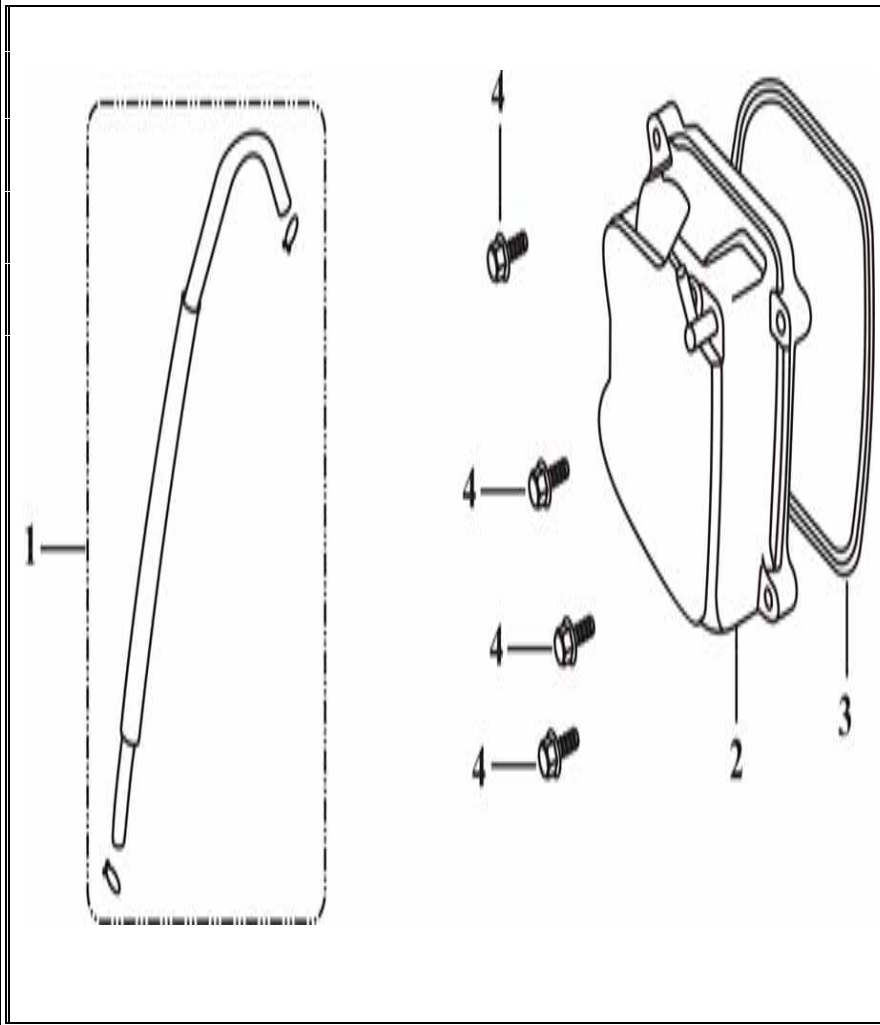
ITEM	UNISON NO.	PARTS NO.	DESCRIPTION	QTY
1	35000091	M4A-17130-00-00	SHROUD COMP. (A) ( DC & BW 150)	1
2	35000092	M4A-17110-00-00	FAN COVER ASSY. (DC & BW 150)	1
3	35000093	M4A-17120-00-00	SHROUD COMP. (B) ( DC & BW 150)	1
4	35000001	M4A-19431-00-00	CARB. DRAIN TUBE CLAMPER ( DC & BW 150)	1
5	35000002	M4A-17118-00-00	SIDE PANAL GROOMET B (DC & BW 150)	1
6	35000003	93914-05016-02	TAPPING SCREW 5X16 (DC & BW 150)	4
7	35000004	96001-06025-01	FLANGE BOLT 6X25 (DC & BW 150)	3



M2

# CYLINDER HEAD COVER

DC150



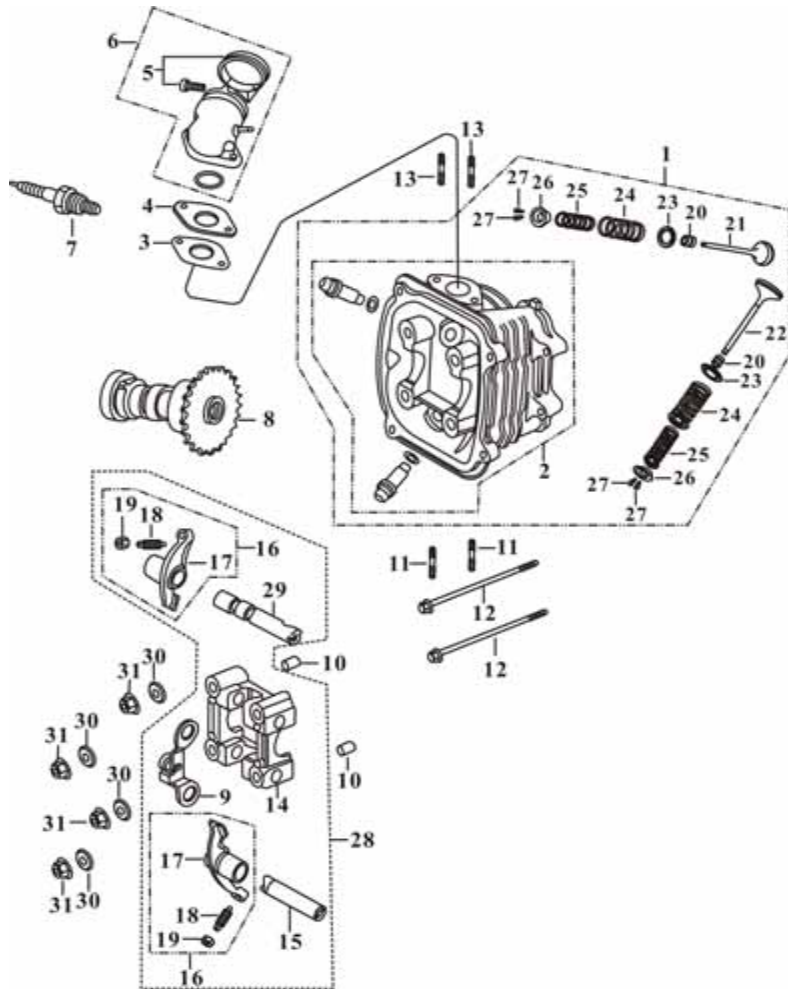
ITEM	UNISON NO.	PARTS NO.	DESCRIPTION	QTY
1	36000091	M4A-12313-00-00	BREATHER TUBE ASSY. (DC & BW 150)	1
2	36000092	M4A-12300-00-00	CYL. HEAD COVER COMP. (DC & BW 150)	1
3	36000001	M4A-12311-00-00	HEAD COVER GASKET (DC & BW 150)	1
4	04000009	96001-06025-03	FLANGE BOLT 6X25	4



M3

CYLINDER HEAD

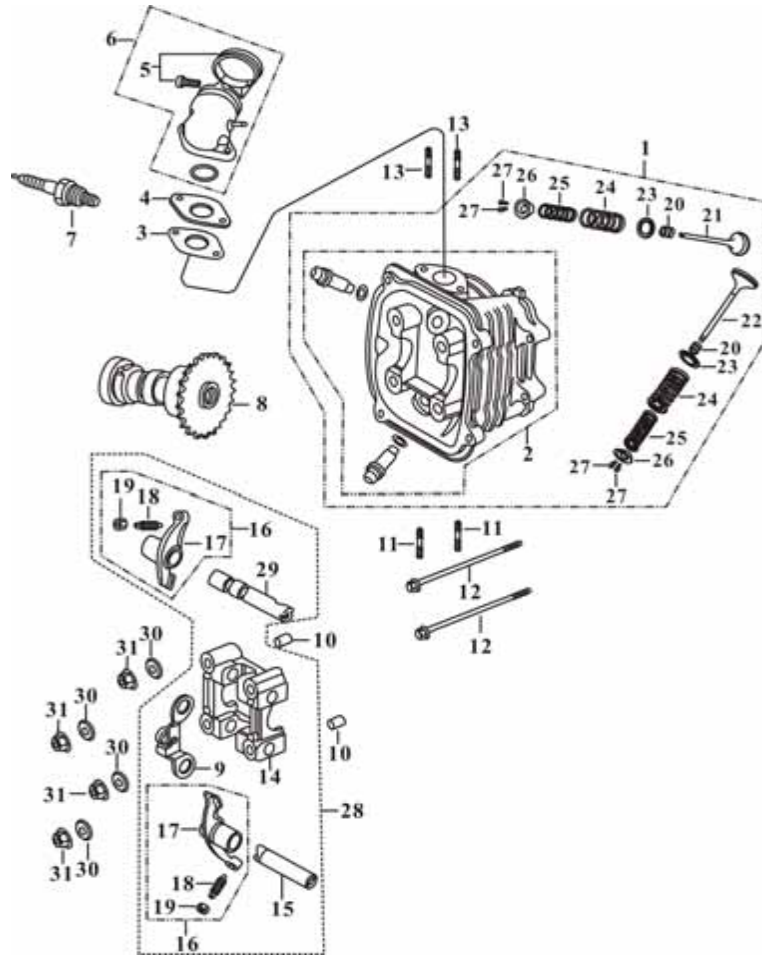
DC150



ITEM	UNISON NO.	PARTS NO.	DESCRIPTION	QTY
1	37000091	M5A-12100-00-00	CYLINDER HEAD ASSY. (DC & BW 150)	1
2	37000092	M5A-12110-00-00	CYLINDER HEAD (DC & BW 150)	1
3	37000001	M4A-18222-00-00	CARB. INSULATOR GASKET (DC & BW 150)	1
4	37000002	M4A-18223-00-00	CARB. INSULATOR (DC & BW 150)	1
5	37000003	M4A-19231-00-00	INSULATOR BAND (DC & BW 150)	1
6	37000094	M4A-19200-00-00	IN. PIPE COMP. (FOR KEIHIN) (DC & BW 150)	1
	37000093	M4A-19200-00-01	IN. PIPE COMP. (FOR MIKUNI) (DC & BW 150)	1
7	37000004	M4A-33111-00-00	SPARK PLUG (DC & BW 150)	1
8	37000005	M4A-13110-00-00	CAMSHAFT COMP. (DC & BW 150)	1
9	37000006	M4A-13124-00-00	PLATE COMP., STOPPER (DC & BW 150)	1
10	01000003	94302-10140-00	DOWEL PIN 10X14 (DC & BW 150)	4
11	37000008	92716-08028-40	STUD BOLT 8X28 (DC & BW 150)	2
12	37000009	96001-06100-03	FLANGE BOLT 6X100 (DC & BW 150)	2
13-1	37000010	92716-06062-50	STUD BOLT 6X62 (FOR KEIHIN)	2
13-2	37000011	92716-06072-50	STUD BOLT 6X72 (FOR MIKUNI) (DC & BW 150)	2



UNISON MOTORS

**M3****CYLINDER HEAD****DC150**

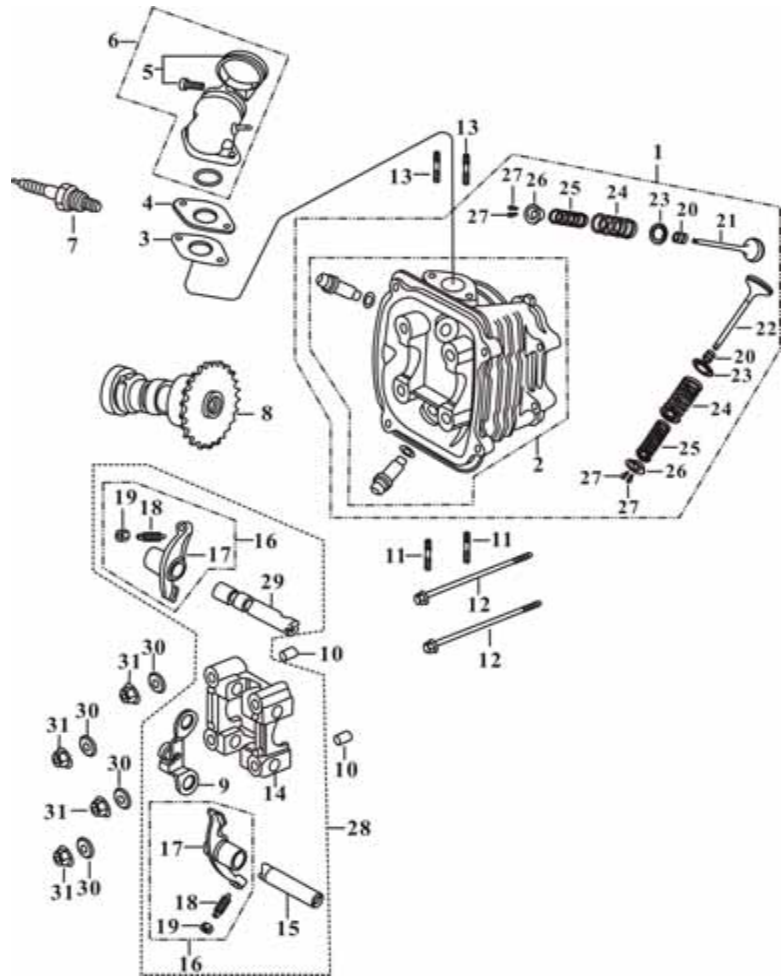
ITEM	UNISON NO.	PARTS NO.	DESCRIPTION	QTY
14	37000012	M4A-13131-00-00	CAM SHAFT HOLDER (DC & BW 150)	1
15	37000013	M4A-13531-00-00	EX. ROCKER ARM SHAFT (DC & BW 150)	1
16	37000095	M4A-13510-00-00	VALVE ROCKER ARM COMP. (DC & BW 150)	2
17	37000014	M4A-13511-00-00	VALVE ROCKER ARM (DC & BW 150)	2
18	37000015	M4A-13512-00-00	TAPPET ADJUSTING SCREW (DC & BW 150)	2
19	37000016	M4A-13513-00-00	TAP. ADJ. NUT (DC & BW 150)	2
20	37000017	M4A-13411-00-00	VALVE STEM SEAL (DC & BW 150)	2
21	37000018	M4A-13201-00-00	IN. VALVE (DC & BW 150)	1
22	37000019	M4A-13301-00-00	EX. VALVE (DC & BW 150)	1
23	37000020	M4A-13424-00-00	OUTER VALVE SPRING SEAT (DC & BW 150)	2
24	37000021	M4A-13413-00-00	VALVE OUTER SPRING (DC & BW 150)	2
25	37000022	M4A-13414-00-00	VALVE INNER SPRING (DC & BW 150)	2
26	37000023	M4A-13421-00-00	VALVE SPG. RETAINER (DC & BW 150)	2
27	37000024	M4A-13427-00-00	VALVE COTTER (DC & BW 150)	4
28	37000096	M4A-13130-00-00	CAMSHAFT HOLPER ASSY.	1



M3

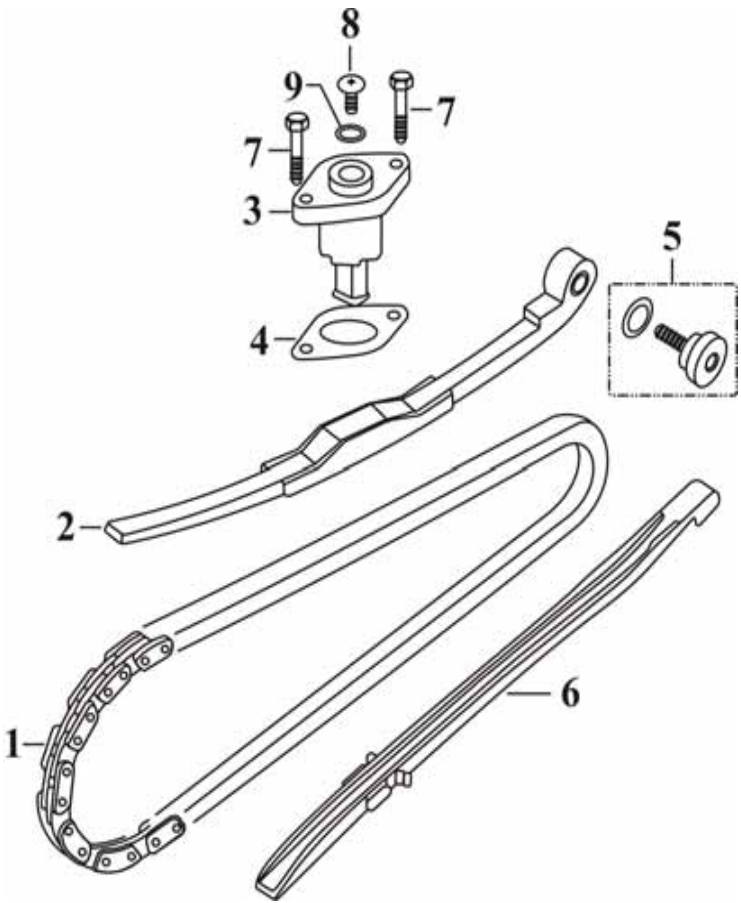
# CYLINDER HEAD

DC150



ITEM	UNISON NO.	PARTS NO.	DESCRIPTION	QTY
29	37000025	M4A-13521-00-00	IN. ROCKER ARM SHAFT	1
30	37000026	91401-08185-17	PLATE WASHER 8MM	4
31	14000035	94050-08000-03	FLANGE NUT 8MM	4



**M4****CAM CHAIN & TENSIONER****DC150**

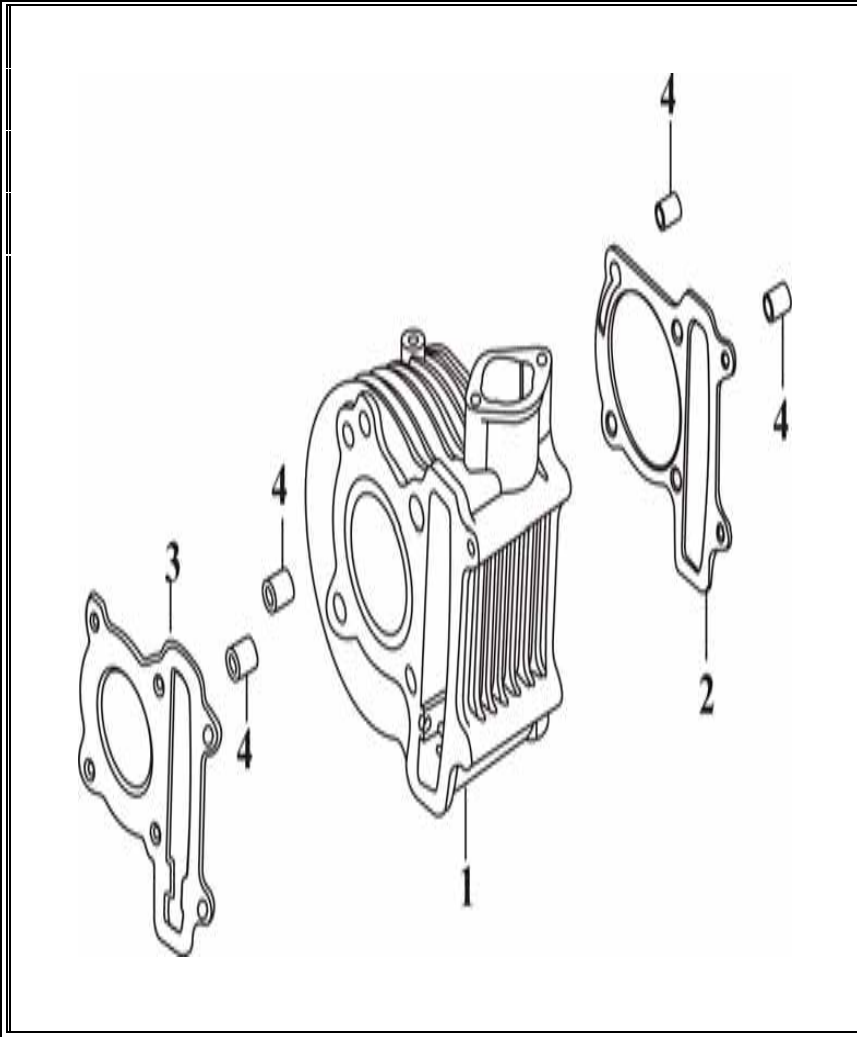
ITEM	UNISON NO.	PARTS NO.	DESCRIPTION	QTY
1	38000001	M4A-13121-00-00	CAM CHAIN (DC &BW 150)	1
2	38000002	M4A-13811-00-00	C.C. TENSIONER (DC &BW 150)	1
3	38000003	M4A-13830-00-00	TENSIONER LIFTER ASSY. (DC &BW 150)	1
4	38000004	M4A-18224-00-00	TENSIONER LIFTER GASKET (DC &BW 150)	1
5	38000091	M4A-13840-00-00	C.C. TENSIONER PIVOT ASSY. (DC &BW 150)	1
6	38000005	M4A-13814-00-00	C.C. GUIDE COMP. (DC &BW 150)	1
7	38000006	96001-06022-03	FLANGE BOLT 6X22 (DC &BW 150)	2
8	38000007	93530-06006-03	PAN HEAD SCREW 6X6 (DC &BW 150)	1
9	38000008	91305-15095-00	O-RING 9.5X1.5 (DC &BW 150)	1



M5

# CYLINDER

DC150



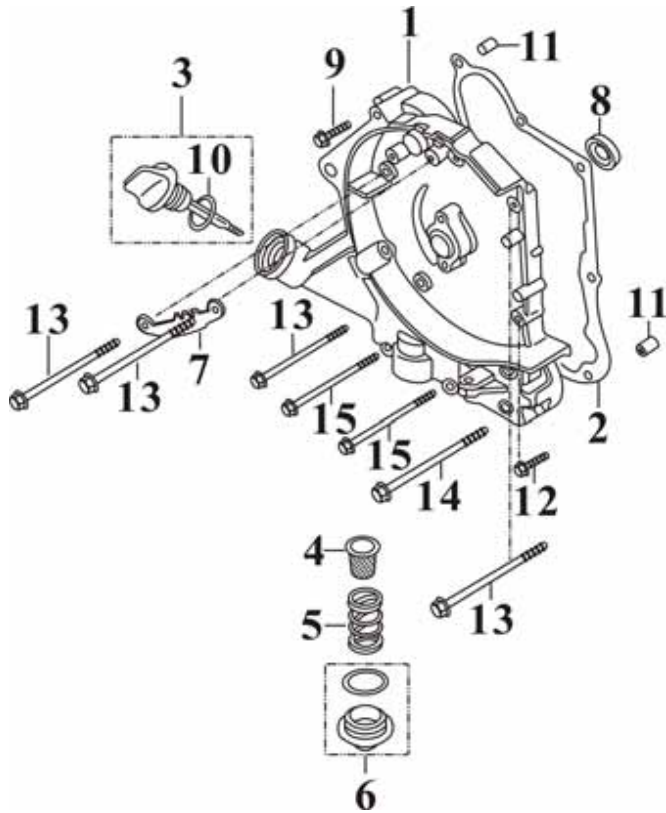
ITEM	UNISON NO.	PARTS NO.	DESCRIPTION	QTY
1	01000092	M5A-12400-00-00	CYLINDER COMP. (DC & BW 150)	1
2	01000001	M5A-18216-00-00	CYL. GASKET (DC & BW 150)	1
3	01000002	M5A-18111-00-00	CYL. HEAD GASKET (DC & BW 150)	1
4	01000003	94302-10140-00	DOWLE PIN 10X14 (DC & BW 150)	4



M6

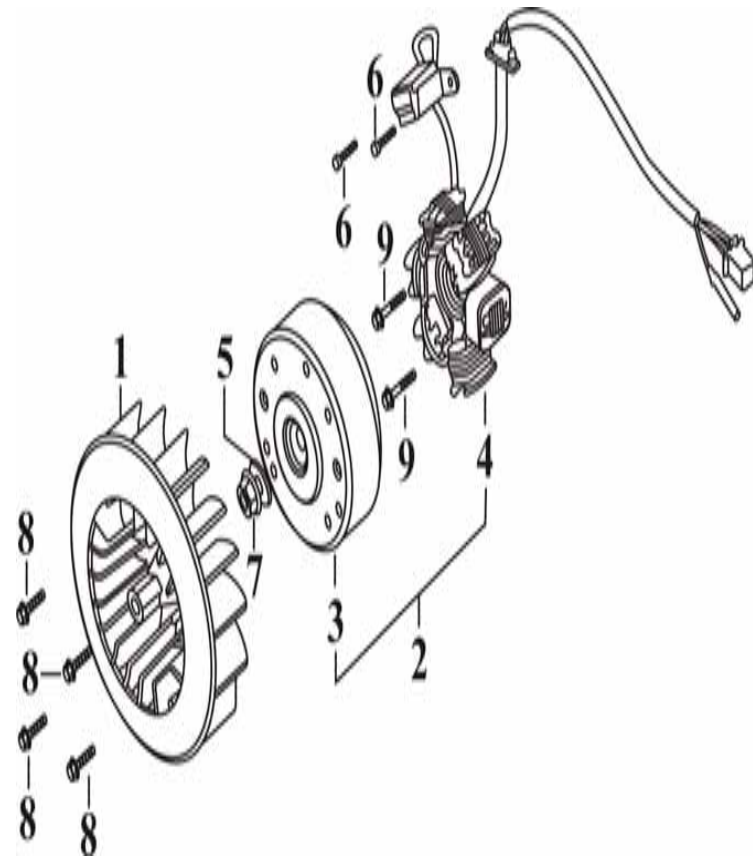
**RIGHT CRANKCASE COVER**

DC150



ITEM	UNISON NO.	PARTS NO.	DESCRIPTION	QTY
1	39000091	M4A-11401-00-00	R. CRANKCASE COVER COMP. (DC & BW 150)	1
2	39000001	M4A-18231-00-00	R. CRANKCASE COVER GASKET (DC & BW 150)	1
3	39000092	M4A-15280-00-00	OIL LEVEL GAUGE ASSY. (DC & BW 150)	1
4	39000002	M4A-15232-00-00	OIL FILTER SCREEN (DC & BW 150)	1
5	39000003	M4A-15233-00-00	OIL FILTER SCREEN SPRING (DC & BW 150)	1
6	39000093	M4A-15230-00-00	TAP ADJ. HOLE CAP ASSY. (DC & BW 150)	1
7	39000004	M4A-31133-00-00	A.C.G. CORD CLAMPER (DC & BW 150)	1
8	39000005	91201-19830-50	OIL SEAL 19.8X30X5	1
9	39000006	96001-06040-03	FLANGE BOLT 6X40 (DC & BW 150)	1
10	39000007	91305-35180-00	O-RING 18X3.5 (DC & BW 150)	1
11	12000012	94302-08140-00	DOWEL PIN 8X14 (DC & BW 150)	2
12	39000009	96001-06032-03	FLANGE BOLT 6X32 (DC & BW 150)	1
13	39000010	96001-06095-03	FLANGE BOLT 6X95 (DC & BW 150)	4
14	37000009	96001-06100-03	FLANGE BOLT 6X100 (DC & BW 150)	1
15	39000012	96001-06110-03	FLANGE BOLT 6X110 (DC & BW 150)	2



**M7****GENERATOR****DC150**

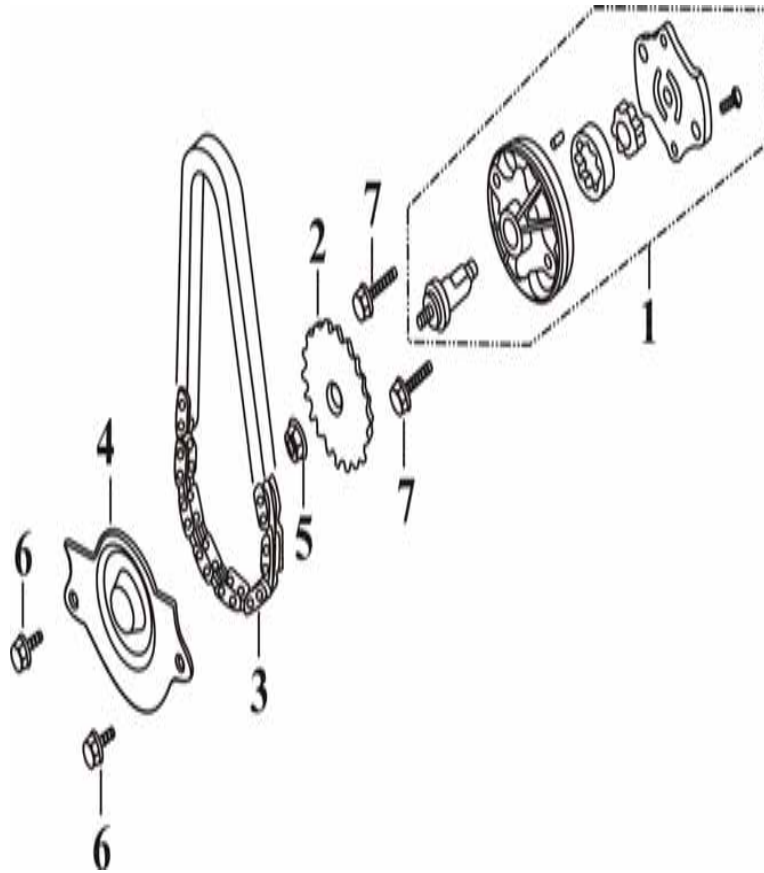
ITEM	UNISON NO.	PARTS NO.	DESCRIPTION	QTY
1	1000093	M4A-17161-00-00	COOLING FAN COMP. (DC & BW 150)	1
2	1000094	M4A-31100-00-00	A.C.G. ASSY. (DC & BW 150)	1
3	1000095	M4A-31110-00-00	FLYWHEEL COMP. (DC & BW 150)	1
4	1000096	M4A-31130-00-00	STARTOR COIL COMP. (DC & BW 150)	1
5	12010503	91401-12246-20	PLATE WASHER 12MM (DC & BW 150)	1
6	10000004	92000-05012-01	HEX. BOLT 5X12	2
7	44000013	94060-12000-03	FLANGE NUT 12MM	2
8	10000005	96001-06018-03	FLANGE BOLT 6X18 (DC & BW 150)	4
9	07000010	96001-06020-01	FLANGE BOLT 6X20	2



M8

# OIL PUMP

DC150



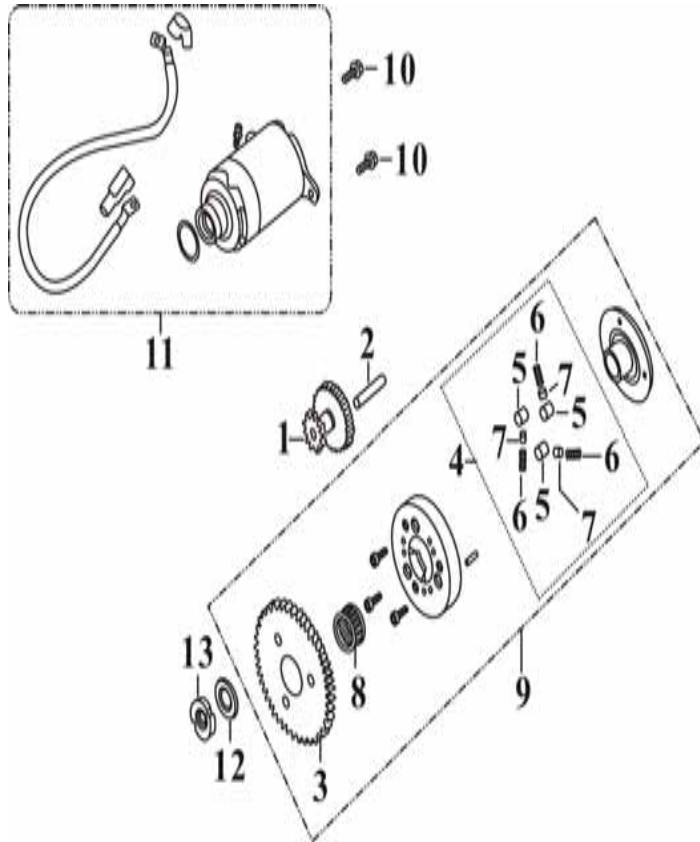
ITEM	UNISON NO.	PARTS NO.	DESCRIPTION	QTY
1	04000091	M5A-15100-00-00	OIL PUMP ASSY. (DC & BW 150)	1
2	04000005	M4A-15211-00-00	OIL PUMP DRVN SPRKT (DC & BW 150)	1
3	04000006	M4A-15215-00-00	OIL PUMP CHAIN (DC & BW 150)	1
4	04000007	M4A-15213-00-00	OIL SEPERATOR (DC & BW 150)	1
5	04000008	94050-06000-01	FLANGE NUT 6MM	2
6	04000010	96001-06012-03	FLANGE BOLT 6X12 (DC & BW 150)	2
7	04000009	96001-06025-03	FLANGE BOLT 6X25 (DC & BW 150)	4



**M9**

**STARTING MOTOR**

**DC150**



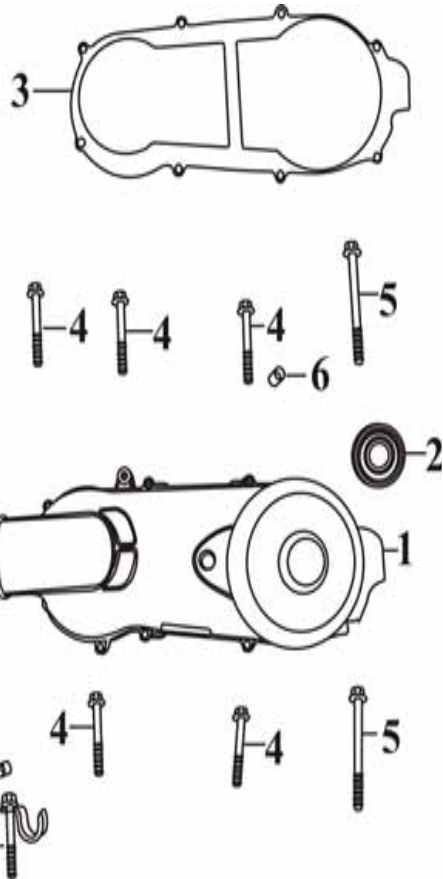
ITEM	UNISON NO.	PARTS NO.	DESCRIPTION	QTY
1	11000001	M4A-32311-00-00	ST. REDUCTION GEAR (DC & BW 150)	1
2	11000002	M4A-32321-00-00	STARTER REDUCTION GEAR (DC & BW 150)	1
3	11000003	M4A-32511-00-00	ST. CLUTCH GEAR (DC & BW 150)	1
4	11000092	M4A-32420-00-00	ST. CLUTCH OUTER COMP. (DC & BW 150)	1
5	11000004	M4A-32413-00-00	ROLLER 10X10 (DC & BW 150)	3
6	11000005	M4A-32414-00-00	ST. CLUTCH ROLER SPG. (DC & BW 150)	3
7	11000006	M4A-32415-00-00	STARTER CLUTCH ROLLER SPRING (DC & BW 150)	3
8	11000007	M4A-32423-00-00	NEEDLE BRG. 28X32X17 (DC & BW 150)	1
9	11000093	M4A-32400-00-00	STARTER CLUTCH ASSY. (DC & BW 150)	1
10	11000008	96001-06016-01	FLANGE BOLT 6X16 (DC & BW 150)	2
11	11000094	M4A-32200-00-00	ST. MOTOR ASSY. (DC & BW 150)	1
12	11000009	94101-22316-03	THRUST WASHER 22.2X31X2.5 (DC & BW 150)	1
13	11000010	M4A-32441-00-00	LOCK NUT 22MM	1



**M10**

**LEFT CRANKCASE COVER**

**DC150**



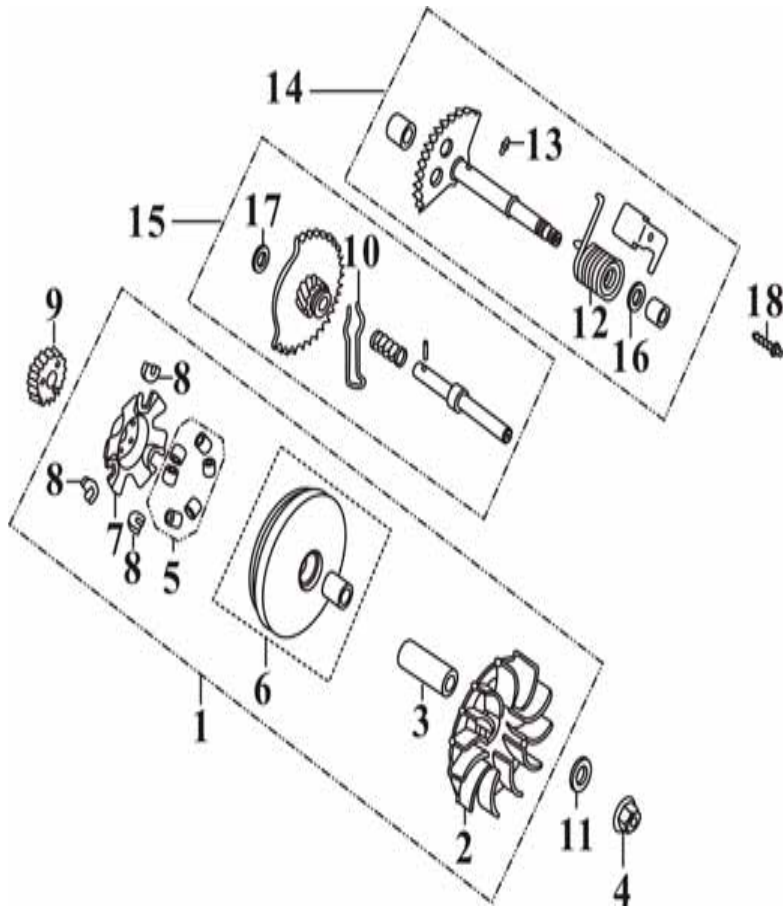
ITEM	UNISON NO.	PARTS NO.	DESCRIPTION	QTY
1	40000091	M4A-11301-00-00	L CRANKCRASE COVER COMP. (DC & BW 150)	1
2	40000001	96120-06000-20	BALL BEARING (DC & BW 150)	1
3	40000002	M4A-18241-00-00	L COVER GASKET (DC & BW 150)	1
4	40000003	96001-06040-02	FLANGE BOLT 6X40 (DC & BW 150)	6
5	07000015	96001-06065-02	FLANGE BOLT 6X65	2
6	12000025	94302-08140-00	DOWEL PIN 8X14 (DC & BW 150)	2
7	40000092	M4A-27111-00-00	KICK ST. ARM ASSY. (DC & BW 150)	1
8	40000006	92000-06025-02	HEX. BOLT 6X25	1



M11

**DRIVE FACE**

DC150



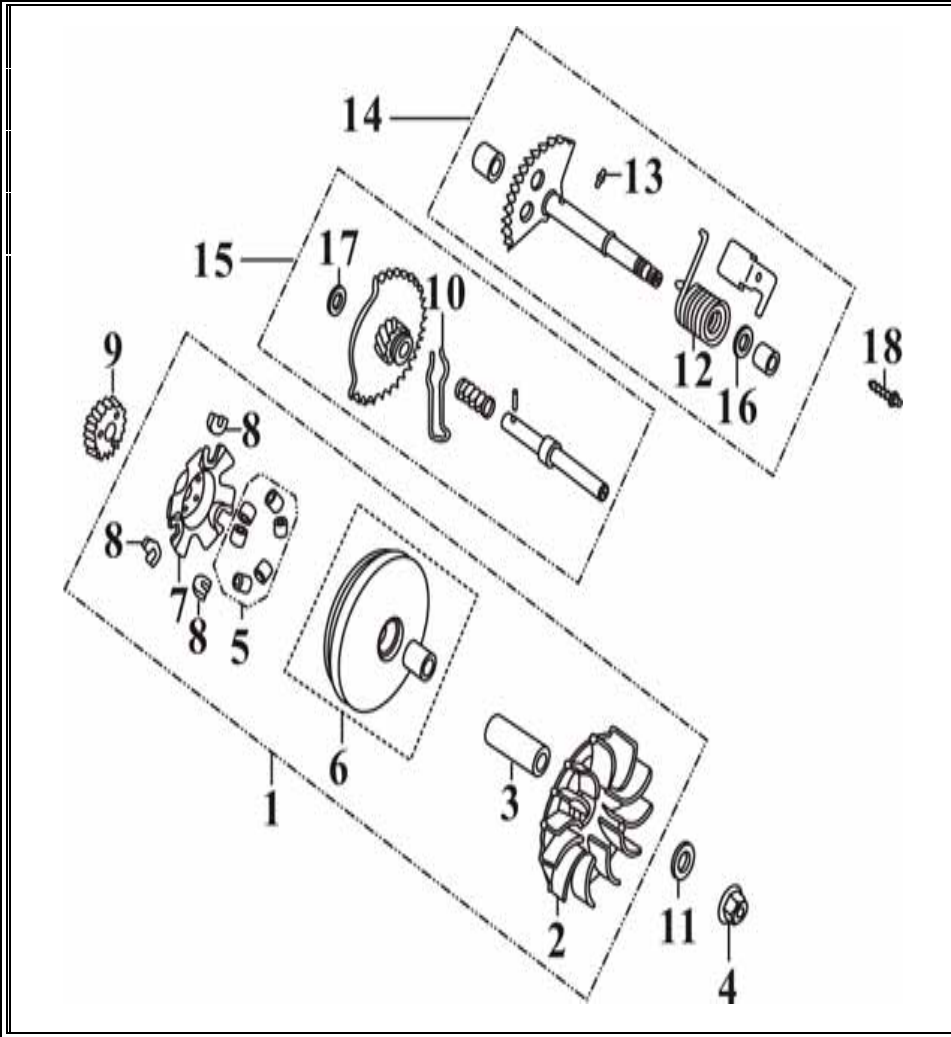
ITEM	UNISON NO.	PARTS NO.	DESCRIPTION	QTY
1	41000091	M5A-22100-00-00	MOVABLE DRIVE FACE ASSY. (DC & BW 150)	1
2	41000001	M4A-22131-00-00	DRIVE FACE (DC & BW 150)	1
3	09010515	M5A-22133-00-00	DRIVE FACE BOSS (DC & BW 150)	1
4	44000013	94060-12000-03	FLANGE NUT 12MM	2
5	41000005	M5A-22121-00-00	WEIGHT ROUER COMP. (DC & BW 150)	6
6	41000092	M4A-22110-00-00	MOVABLE DRIVE FACE COMP. (DC & BW 150)	1
7	41000006	M5A-22123-00-00	RAMP PLATE (DC & BW 150)	1
8	41000007	M4A-22124-00-00	SLIDE PIECE (DC & BW 150)	3
9	41000008	M4A-27251-00-00	KICK ST. DRIVEN GEAR (20T) (DC & BW 150)	1
10	41000009	M4A-27224-00-00	ST. GEAR FRICTION SPG. (DC & BW 150)	1
11	41000010	94101-12296-20	PLATE WASHER 12MM (DC & BW 150)	1
12	41000011	M4A-27141-00-00	KICK ST. SPG. (DC & BW 150)	1
13	41000012	M4A-27151-00-00	SPECTAL PIN 4.5MM (DC & BW 150)	1
14	41000093	M4A-27120-00-00	KICK STARTER SPINDLE ASSY. (DC & BW 150)	1
15	41000094	M4A-27200-00-00	START IDLE GEAR ASSY. (DC & BW 150)	1



M11

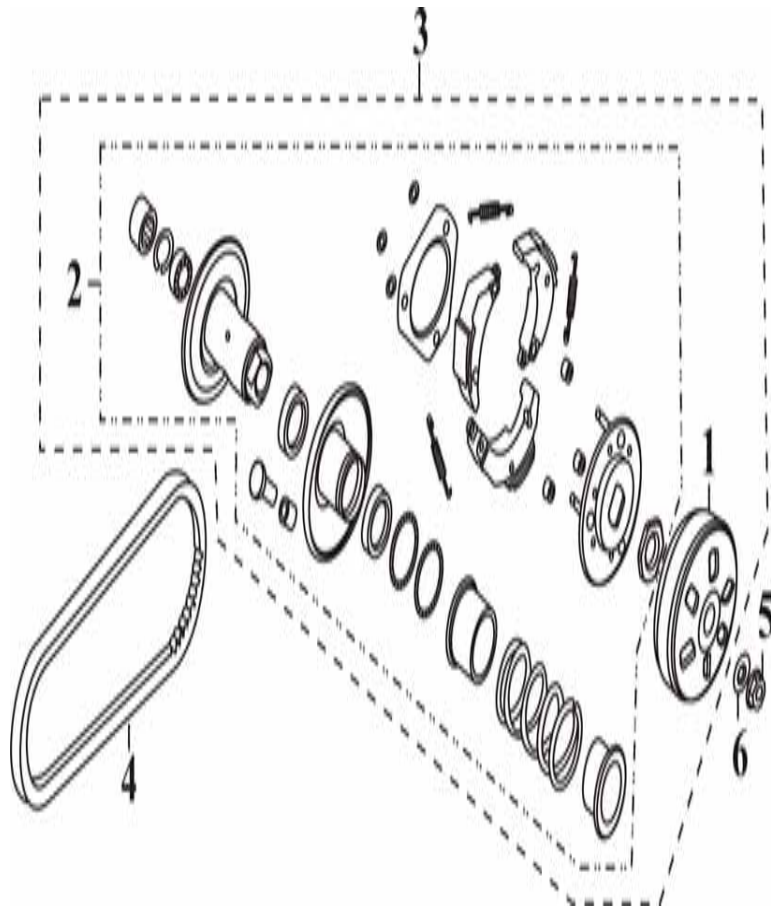
DRIVE FACE

DC150



ITEM	UNISON NO.	PARTS NO.	DESCRIPTION	QTY
16	4100002	94101-14213-03	PLATE WASHER 14.2X21X1	1
17	4100003	94101-12185-03	PLATE WASHER 12.5MM (DC & BW 150)	1
18	4100004	96001-06014-01	FLANGE BOLT 6X14 (DC & BW 150)	1



**M12****DRIVEN PULLEY****DC150**

ITEM	UNISON NO.	PARTS NO.	DESCRIPTION	QTY
1	42000001	M4A-22441-00-00	CLUTCH OUTER (DC & BW 150)	1
2	42000091	M5A-22401-00-00	DRIVEN PULLEY ASSY. (DC & BW 150)	1
3	42000092	M5A-22400-00-00	DRIVEN PULLEY ASSY. (DC & BW 150)	1
4	42000002	M5A-22211-00-00	DRIVE BELT (743.20.30) (DC & BW 150)	1
5	44000013	94060-12000-03	FLANGE NUT 12MM	2
6	41000010	94101-12296-20	PLATE WASHER 12MM	1

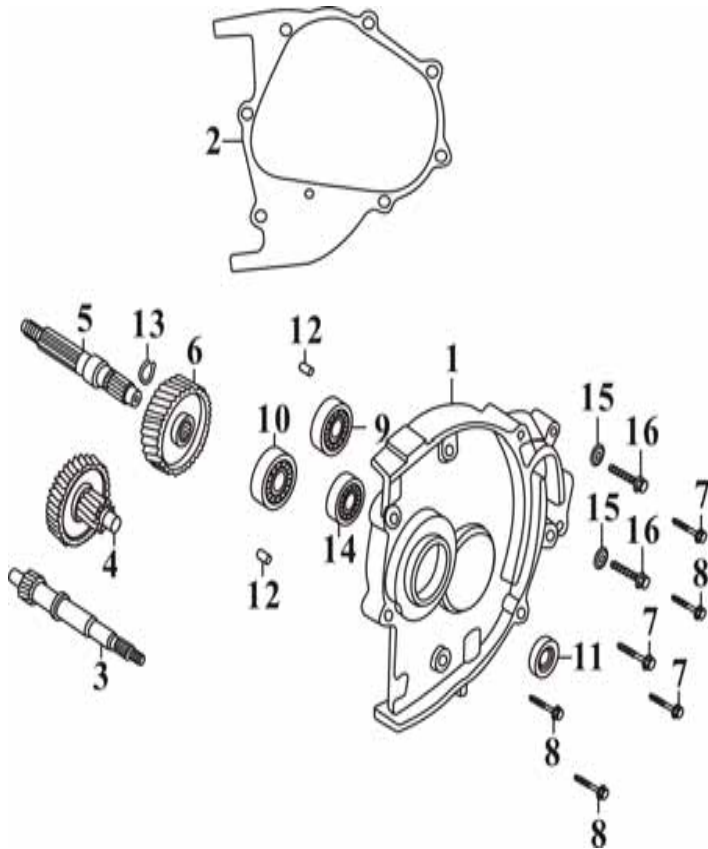


**M13**

**TRANSMISSION**

**DC150**

ITEM	UNISON NO.	PARTS NO.	DESCRIPTION	QTY
1	12000011	M4A-11351-00-00	MISSION COVER (DC &BW 150)	1
2	12000012	M4A-18244-00-00	MISSION COVER GASKET (DC &BW 150)	1
3	12000013	M4A-25111-00-00	DRIVE SHAFT (DC &BW 150)	1
4	12000014	M4A-26110-00-00	COUNTER SHAFT COMPLETE (DC &BW 150)	1
5	12000015	M4A-26172-00-00	FINAL SHAFT (DC &BW 150)	1
6	12000016	M4A-26171-00-00	FINAL GEAR (DC &BW 150)	1
7	12000017	96001-06028-03	FLANGE BOLT 6X28 (DC &BW 150)	3
8	12000018	96001-06035-03	FLANGE BOLT 6X35 (DC &BW 150)	3
9	12000019	96120-06203-00	BALL BEARING 6203 (DC &BW 150)	1
10	12000024	96123-06204-00	BALL BEARING 6204JR2C3 (DC &BW 150)	1
11	12000020	91201-20032-60	OIL SEAL 20X32X6X (DC &BW 150)	1
12	12000025	94302-08140-00	DOWEL PIN 8X14 (DC &BW 150)	2
13	12000021	94511-12200-00	CIR-CLIP 20MM (DC &BW 150)	1
14	12000022	96120-06202-00	BALL BEARING 6202 (DC &BW 150)	1
15	12000023	94101-08165-40	PLATE WASHER 8MM (DC & BW 150)	2
16	07000018	95800-08012-03	SPECIAL BOLT 8X12	2

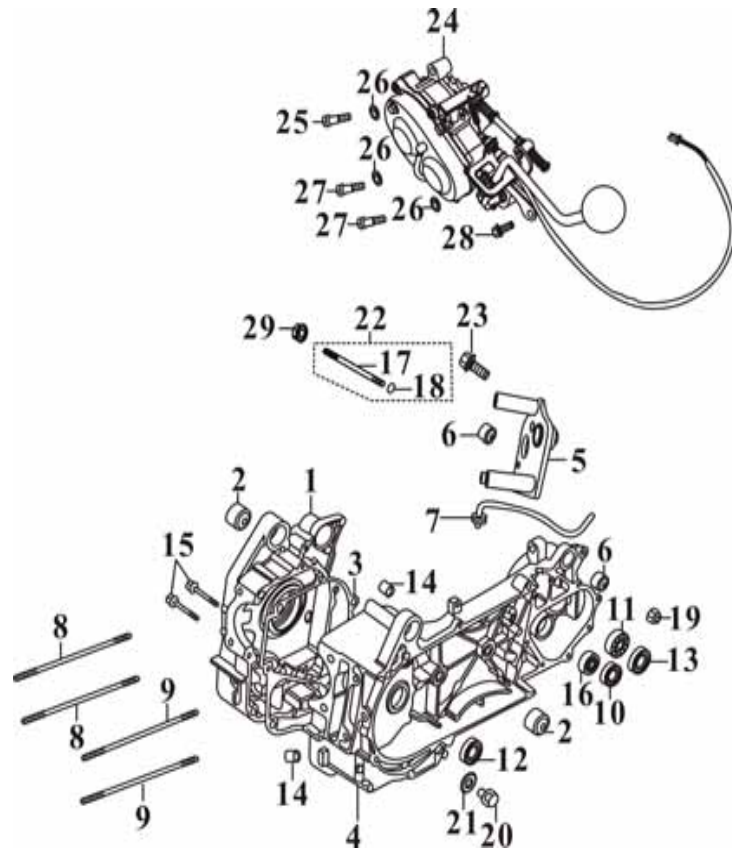


**UNISON MOTORS**

M14

**CRANKCASE**

DC150



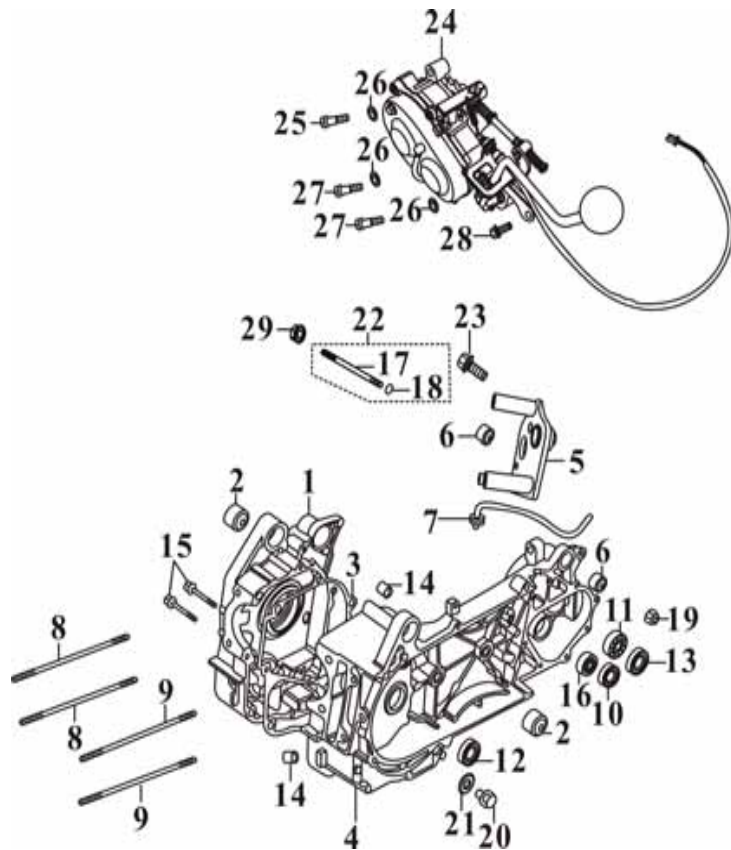
ITEM	UNISON NO.	PARTS NO.	DESCRIPTION	QTY
1	07000092	M5A-11101-00-00	R. CRANK CASE COMP. (DC & BW 150)	1
2	07000028	M4A-11221-00-00	ENG. HANGER RUB. BUSH (DC & BW 150)	2
3	07000029	M5A-18201-00-00	CRANK CASE GASKET (DC & BW 150)	1
4	07000093	M5A-11201-00-00	L. CRANK CASE COMP. (DC & BW 150)	1
5	07000094	M5A-11271-00-02	ENGINE BRACKET ASSY. (DC & BW 150)	1
6	07000030	M1A-11223-00-00	ENG. HANGER RUB. BUSH	3
7	07000031	M4A-11241-00-00	MISSION BREATHER TUBE (DC & BW 150)	1
8	07000032	M4A-12422-00-00	STUD BOLT 8X195.5 (DC & BW 150)	2
9	07000033	M4A-12423-00-00	STUD BOLT B 8X202.5 (DC & BW 150)	2
10	07000034	96120-06301-00	BALL BEARING 6301 TMB (DC & BW 150)	1
11	07000043	96123-06004-40	BALL BEARING 6004LLUC3/2A (DC & BW 150)	1
12	39000005	91201-19830-50	OIL SEAL 19.8X30X5 (DC & BW 150)	1
13	07000035	91201-27042-70	OIL SEAL 27X42X7	2
14	12000025	94302-08140-00	DOWEL PIN 8X14 (DC & BW 150)	2
15	07000036	96001-06050-03	FLANGE BOLT 6X50 (DC & BW 150)	2



M14

CRANKCASE

DC150

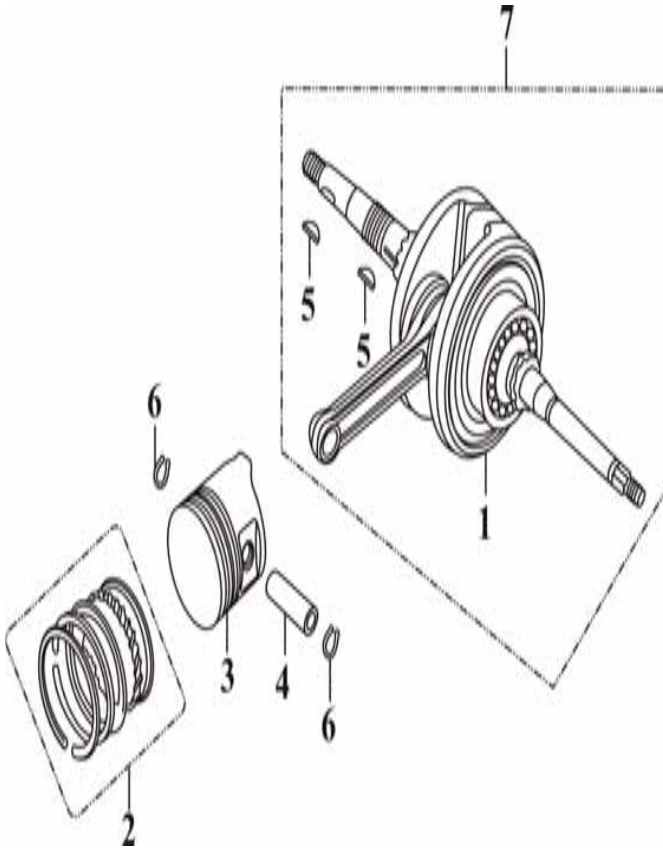


ITEM	UNISON NO.	PARTS NO.	DESCRIPTION	QTY
16	07011501	96120-06002-00	BALL BEARING 6002	1
17	07000037	M5A-11272-00-00	STUD BOLT (DC & BW 150)	1
18	13000002	91305-19068-00	O-RING 6.8X1.9	1
19	14000020	94051-08000-03	FLANGE NUT 8MM	6
20	07000039	92800-12015-01	DRAIN PLUG BOLT 12X15 (DC & BW 150)	1
21	07000045	94101-12225-40	DRAIN PLUG WASHER 12MM (DC & BW 150)	1
22	07000096	M4A-11260-00-00	BRK. SHOE ANCHOR PIN ASSY. (DC & BW 150)	1
23	07000040	95800-14050-02	FLANGE BOLT 14X50 (DC & BW 150)	1
24	07000095	M5A-11270-00-01	ENGINE BRACKET ASSY. (DC & BW 150)	1
		M5A-29030-00-20	REVERSE GEAR ASSY. (DC & BW 150)	1
25	07000041	95801-10080-02	FLANGE BOLT 10X80 (DC & BW 150)	1
26	30000005	94111-10186-33	SPRING WASHER 10MM	3
27	25000024	95801-10048-02	FLANGE BOLT 10X48	4
28	26000015	95800-08050-03	FLANGE BOLT 8X50	2
29	07000024	94061-0000-03	FLANGE U NUT 10MM (DC & BW 150)	1



**M15****CRANK SHAFT & PISTON****DC150**

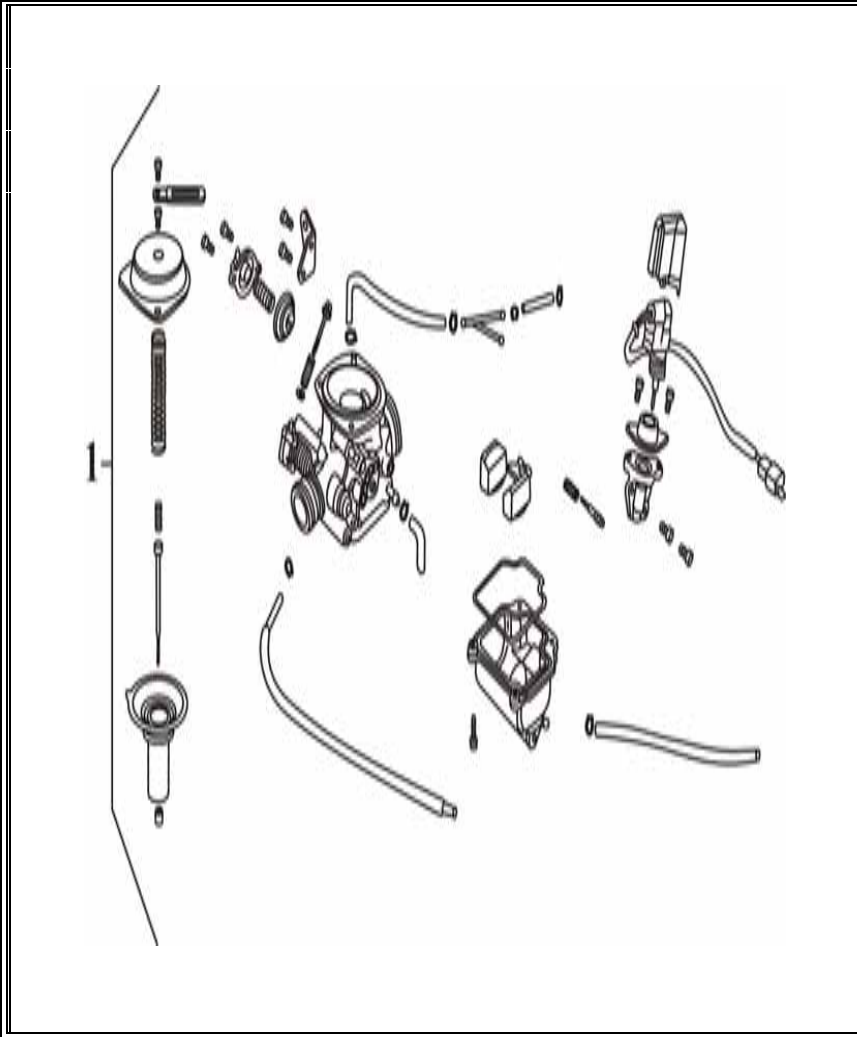
ITEM	UNISON NO.	PARTS NO.	DESCRIPTION	QTY
1	02000094	M5A-14110-00-00	CRANK SHAFT COMP. (DC & BW 150)	1
2	02021502	M5A-12620-00-00	PISTON RING SET (STD) (DC & BW 150)	1
3	02000001	M5A-12611-00-00	PISTON (DC & BW 150)	1
4	02000002	M5A-12631-00-00	PISTON PIN (DC & BW 150)	1
5	02000003	M4A-14151-00-00	WOODRUFF KEY 25X14 (DC & BW 150)	2
6	02000004	94601-10150-00	PISTON PIN CLIP 15MM (DC & BW 150)	2
7	02010501	M5A-14100-00-00	CRANK SHAFT COMP. (DC & BW 150)	1



**M16**

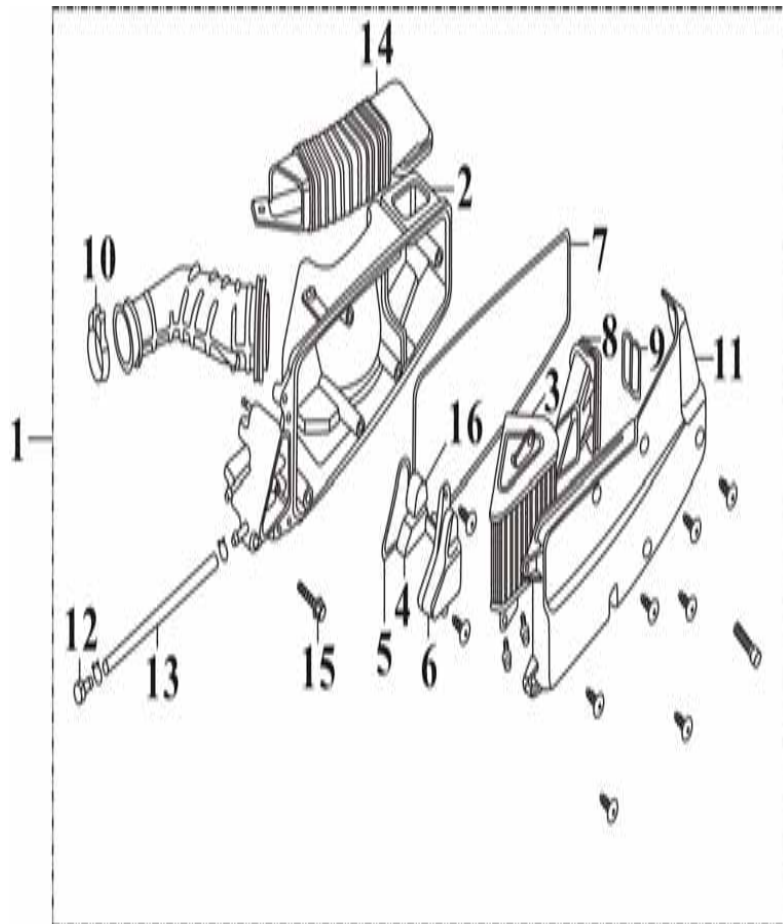
**CARBURETOR**

**DC150**



ITEM	UNISON NO.	PARTS NO.	DESCRIPTION	QTY
1	060000911	M5A-19400-00-00	CARBURETOR ASSY. (AUTO CHOKE) (DC & BW)	1
	060000912	M5A-19400-00-12	CARBURETOR ASSY. (MANUAL CHOKE)	1



**M17****AIR CLEANER****DC150**

ITEM	UNISON NO.	PARTS NO.	DESCRIPTION	QTY
1	43000091	A4A-19110-00-00	AIR CLEANER ASSY. (DC & BW 150)	1
2	43000001	A4A-19111-00-00	AIR CLEANER CASE,1 (DC & BW 150)	1
3	43000002	A4A-19114-00-00	AIR CLEANER ELEMENT (DC & BW 150)	1
4	43000003	A4A-19127-00-00	OIL CATCH FILTER (DC & BW 150)	1
5	43000004	A4A-19125-00-00	SEAL,2 (DC & BW150)	1
6	43000005	A4A-19128-00-00	OIL CATCH COVER (DC & BW 150)	1
7	43000006	A4A-19115-00-00	SEAL (DC & BW 150)	1
8	43000007	A4A-19142-00-00	INTAKE AIR DUCT (DC & BW 150)	1
9	43000008	A4A-19143-00-00	SPRING (DC & BW 150)	1
10	43000009	A4A-19171-00-00	TUBE STAY (DC & BW 150)	1
11	43000010	A4A-19112-00-00	AIR CLEANER CAP,1 (DC & BW 150)	1
12	43000011	A4A-19167-00-00	BREATHER TUBE PLUG (DC & BW 150)	1
13	43000012	A4A-19116-00-00	PIPE,1 (DC & BW 150)	1
14	43000013	A4A-19119-00-00	DUCT (DC & BW 150)	1
15	07000014	96000-06025-02	FLANGE BOLT 6X25	1
16	43000015	A4A-19126-00-00	BREATHER FILTER (DC & BW 150)	1

