

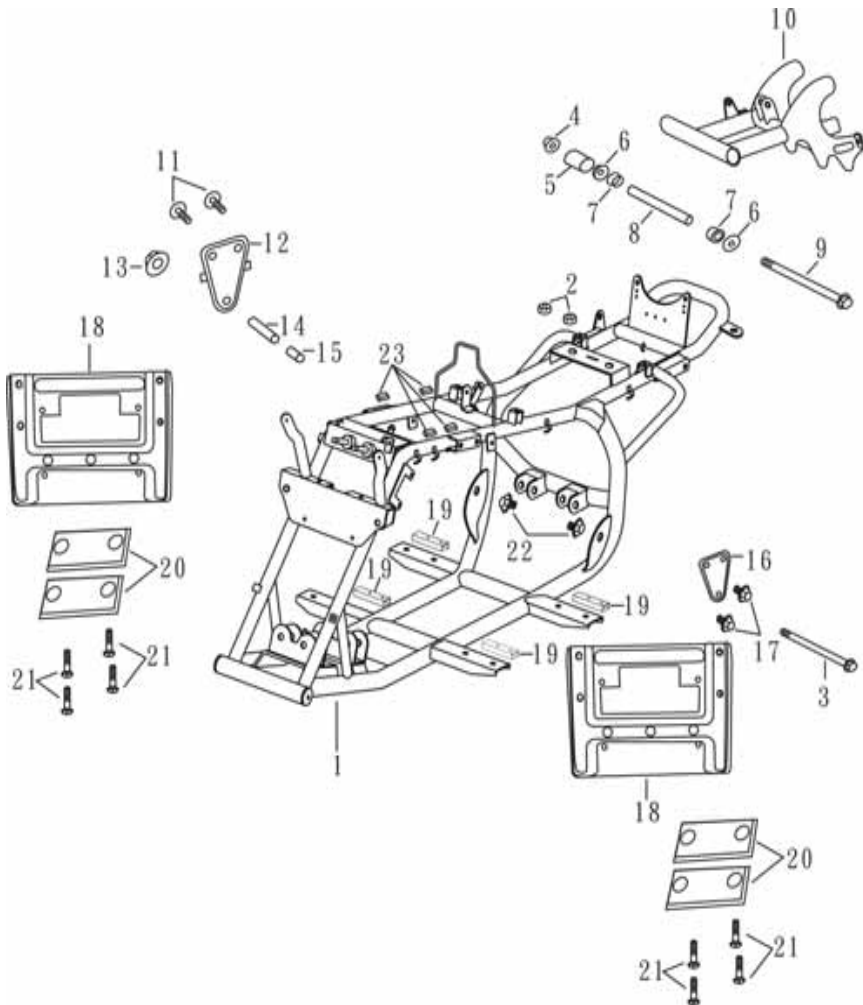


UNISON

ILLUSTRATED PARTS LIST

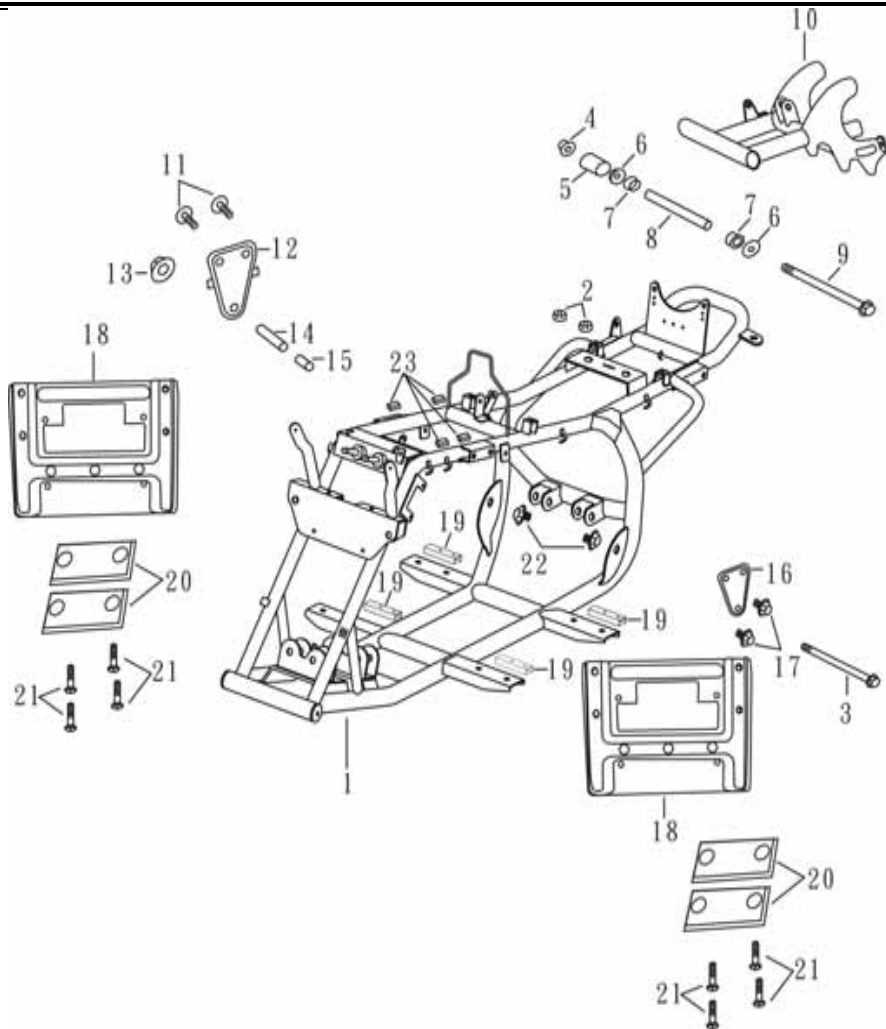
MODELS 2004 AND UP (VER.A)

DESERT CAT 50/90

F1**FRAME BODY****50CC**

ITEM	UNISON NO.	PARTS NO.	DESCRIPTION	QTY
1	14010591	A1A-51110-00-30	FRAME COMP. FOR 50	1
2	14000001	A1A-52146-00-01	RUBBER (MINI , 50 & 90)	2
3	14000002	A1A-53511-00-00	FR. WHEEL AXLE (MINI , 50 & 90)	1
4	12000001	94061-14000-01	FLANGE U NUT 14MM	2
5	14000003	A1A-58175-00-00	RUBBER SLEEVE	1
6	14000004	A1A-58165-00-00	REAR FORK SEAL COVER	2
7	14000005	A1A-58155-00-00	BUSHING CONTAIN OIL	2
8	14000006	95701-08036-02	HEX. FLANGE BOLT 8X36	2
9	14000008	A1A-58161-00-00	REAR FORK SET BOLT	1
10	14000009	A1A-58110-00-10	REAR FORK COMP. (50 & 90)	1
11	14000010	95800-08020-02	FLANGE BOLT 8X20	4
12	14000011	A1A-52143-00-00	E/G HANGER BRKT,2 (50 & 90)	1
13	14000012	94061-12000-03	FLANGE U NUT 12MM	2
14	14000013	A1A-58644-00-00	CORE TUBE 17X13X102 (MINI, 50 & 90)	1
15	14000014	A1A-58645-00-00	CORE TUBE 22X13X21 (MINI , 50 & 90)	1



F1**FRAME BODY****50CC**

ITEM	UNISON NO.	PARTS NO.	DESCRIPTION	QTY
16	14000015	A1A-52142-00-00	E/G HANGER BRKT,1 (50 & 90)	1
17	14000016	95800-08014-02	FLANGE BOLT 8X14	14
18	14000017	A1A-52144-00-10	FOOT REST	2
19	14000018	A1A-52157-00-00	DAMPER,2 (50 &90)	4
20	14000022	A1A-52159-00-10	DAMPER,4 (50 &90)	4
21	14000019	95800-08016-02	FLANGE BOLT 8X16	8
22	14000006	95701-08036-02	HEX. FLANGE BOLT 8X36	2
23	14000023	A1A-52156-00-00	DAMPER,1	8

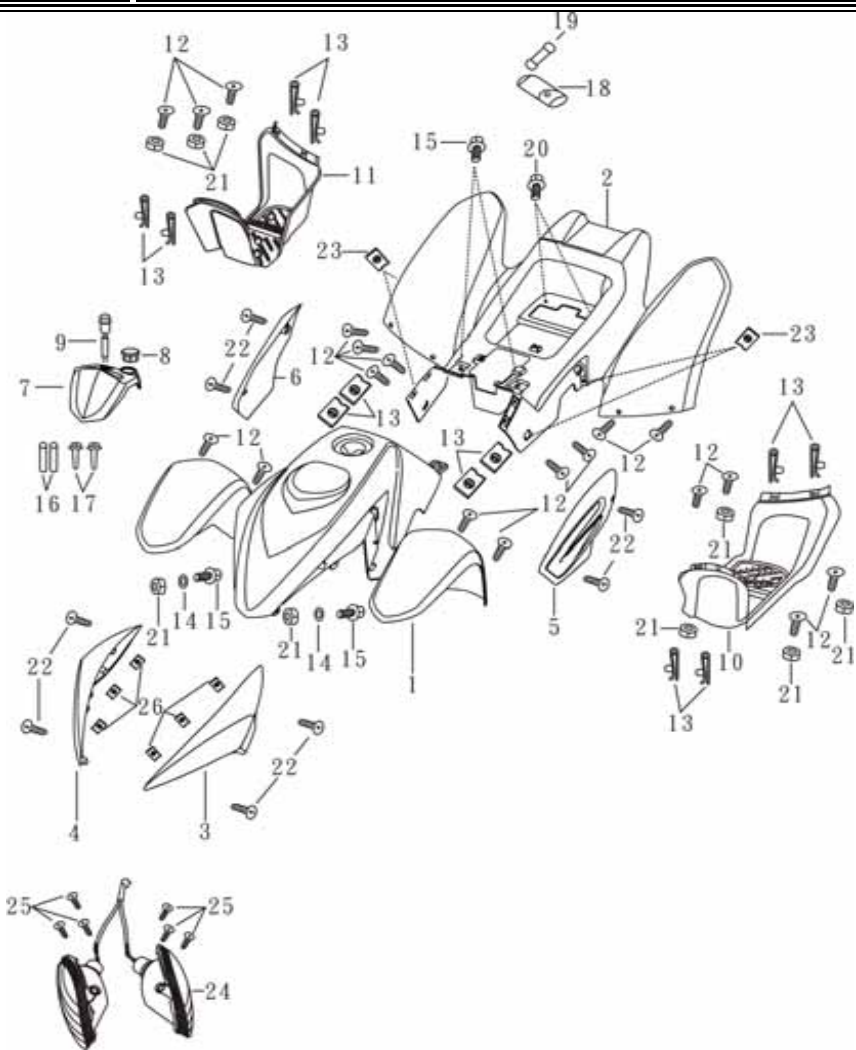


F2

PLASTICS

50CC

ITEM	UNISON NO.	PARTS NO.	DESCRIPTION	QTY
1	15011501	A1A-73511-00-00	FRONT COVER	1
	150105012	A1A-73511-20-00	FRONT COVER (YELLOW)	1
	150115013	A1A-73511-30-00	FRONT COVER (GREEN)	1
	150109014	A1A-73511-40-00	FRONT COVER (BLUE)	1
	15000020	A1A-73511-60-00	FRONT COVER (BLACK)	1
	150109016	A1A-73511-70-00	FRONT COVER (WHITE)	1
2	150109021	A1A-73521-00-10	REAR COVER (RED)	1
	150109022	A1A-73521-20-10	REAR COVER (YELLOW)	1
	150109023	A1A-73521-30-10	REAR COVER (GREEN)	1
	15000027	A1A-73521-60-10	REAR COVER (BLACK)	1
	15000027	A1A-73521-60-10	REAR COVER (BLACK)	1
	150109026	A1A-73521-70-10	REAR COVER (WHITE)	1
3	150000031	A1A-73531-00-11	SIDE COVER, 1 (L) (RED)	1
	150000035	A1A-73531-60-11	SIDE COVER, 1 (L) (BLACK)	1
	150000036	A1A-73531-70-11	SIDE COVER, 1 (L) (WHITE)	1
	150000038	A1A-73531-82-11	SIDE COVER, 1 (L) (GREY)	1

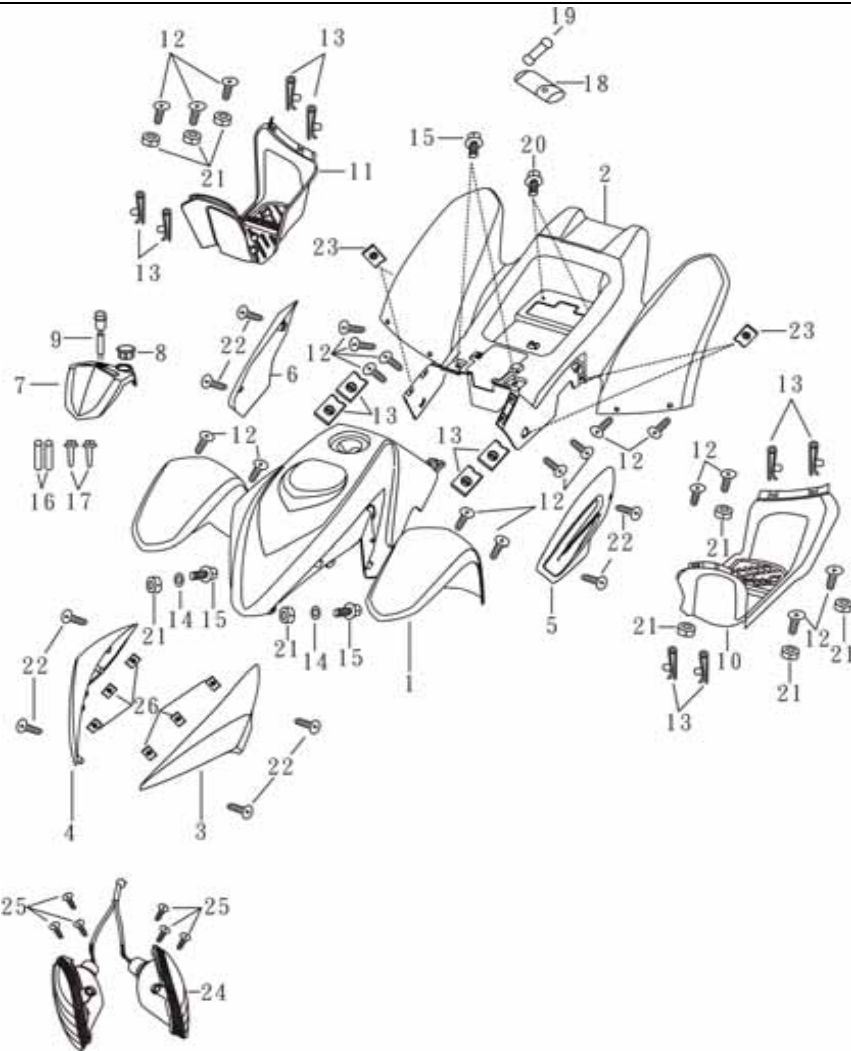


UNISON MOTORS

F2

PLASTICS

50CC



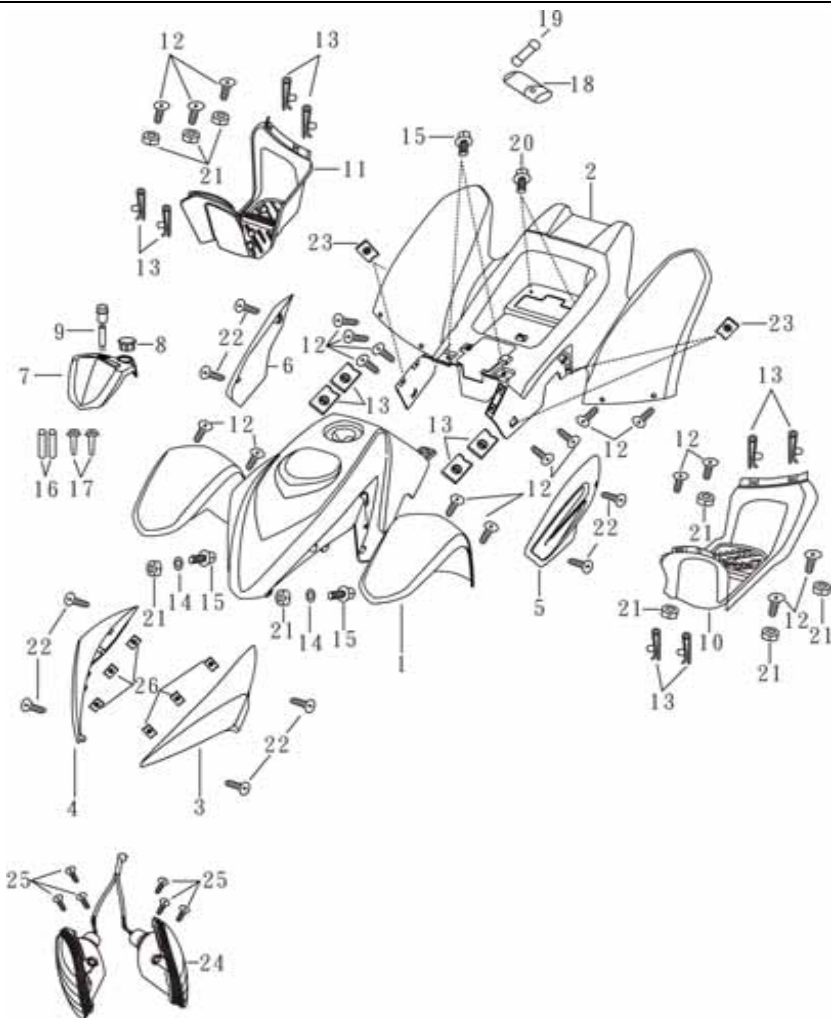
ITEM	UNISON NO.	PARTS NO.	DESCRIPTION	QTY
4	15000041	A1A-73541-00-11	SIDE COVER, 2 (R)	1
	15000045	A1A-73541-60-11	SIDE COVER, 2 (R) (BLACK)	1
	15000046	A1A-73541-70-11	SIDE COVER, 2 (R) (WHITE)	1
	15000048	A1A-73541-82-11	SIDE COVER, 2 (R) (GREY)	1
5	15000051	A1A-73551-00-00	SIDE COVER, 3 (L)	1
	15000052	A1A-73551-60-00	SIDE COVER, 3 (L) (BLACK)	1
	15000056	A1A-73551-70-00	SIDE COVER, 3 (L) (WHITE)	1
	15000058	A1A-73551-82-00	SIDE COVER, 3 (L) (GREY)	1
6	15000061	A1A-73561-00-00	SIDE COVER, 4 (R)	1
	15000065	A1A-73561-60-00	SIDE COVER, 4 (R) (BLACK)	1
	15000066	A1A-73561-70-00	SIDE COVER, 4 (R) (WHITE)	1
	15000068	A1A-73561-82-00	SIDE COVER, 4 (R) (GREY)	1



F2

PLASTICS

50CC



ITEM	UNISON NO.	PARTS NO.	DESCRIPTION	QTY
7	15000071	A1A-72311-00-00	HANDLE COVER	1
	15000072	A1A-72311-20-00	HANDLE COVER (YELLOW) (50 & 90)	1
	15000073	A1A-72311-30-00	HANDLE COVER (GREEN) (50 & 90)	1
	15000074	A1A-72311-40-00	HANDLE COVER (BLUE) (50 & 90)	1
	15000033	A1A-72311-60-00	HANDLE COVER (BLACK)	1
8	15000001	A1A-72315-00-00	HOLE PLUG	2
	15000002	A1A-34630-00-00	OIL LIGHT ASSY. (50 & 90)	1
9	15000003	A1A-66212-00-00	SAFETY SWITCH	1
10	15000004	A1A-73411-60-00	FOOTWELL, R (50 & 90)	1
11	15000005	A1A-73421-60-00	FOOTWELL, L (50 & 90)	1
12	15000006	93530-06018-02	PAN HEAD SCREW 6X18	40
13	15000007	A1A-73518-00-00	CLIP NUT 6MM	16
14	09000002	94101-06193-00	PLATE WASHER 6MM	4
15	15000008	93404-06020-03	BOLT W/ WASHER 6X20	6
16	15000009	A1A-72325-00-00	COLLAR	2

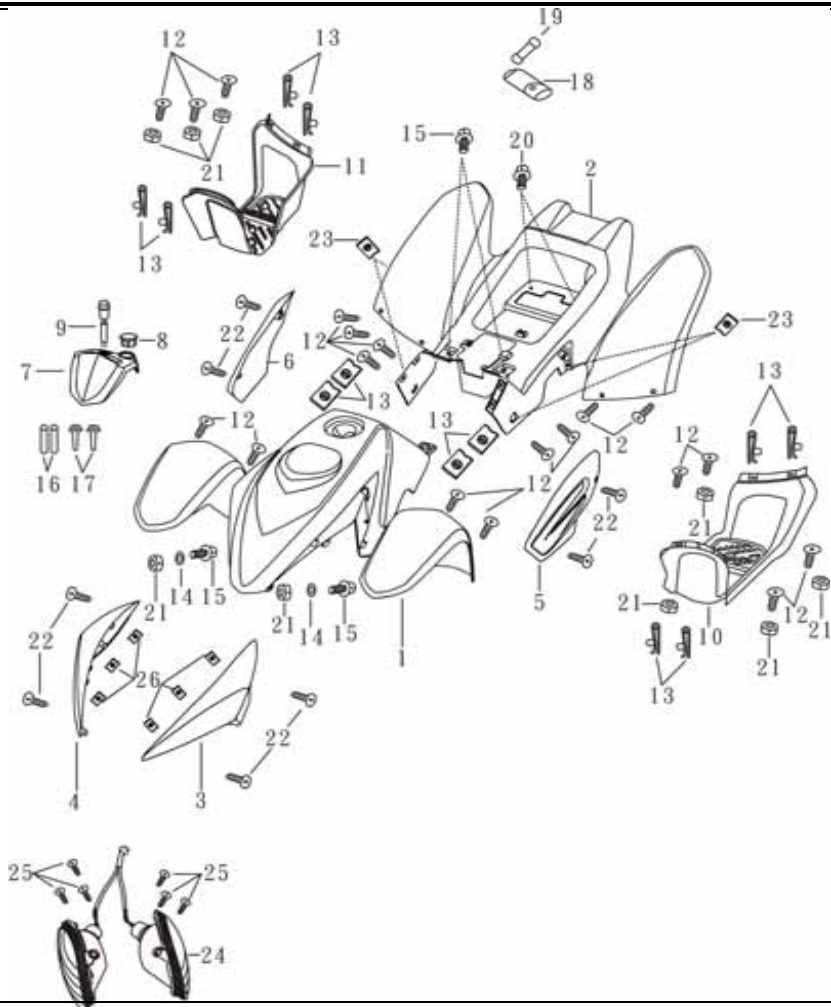


UNISON MOTORS

F2

PLASTICS

50CC

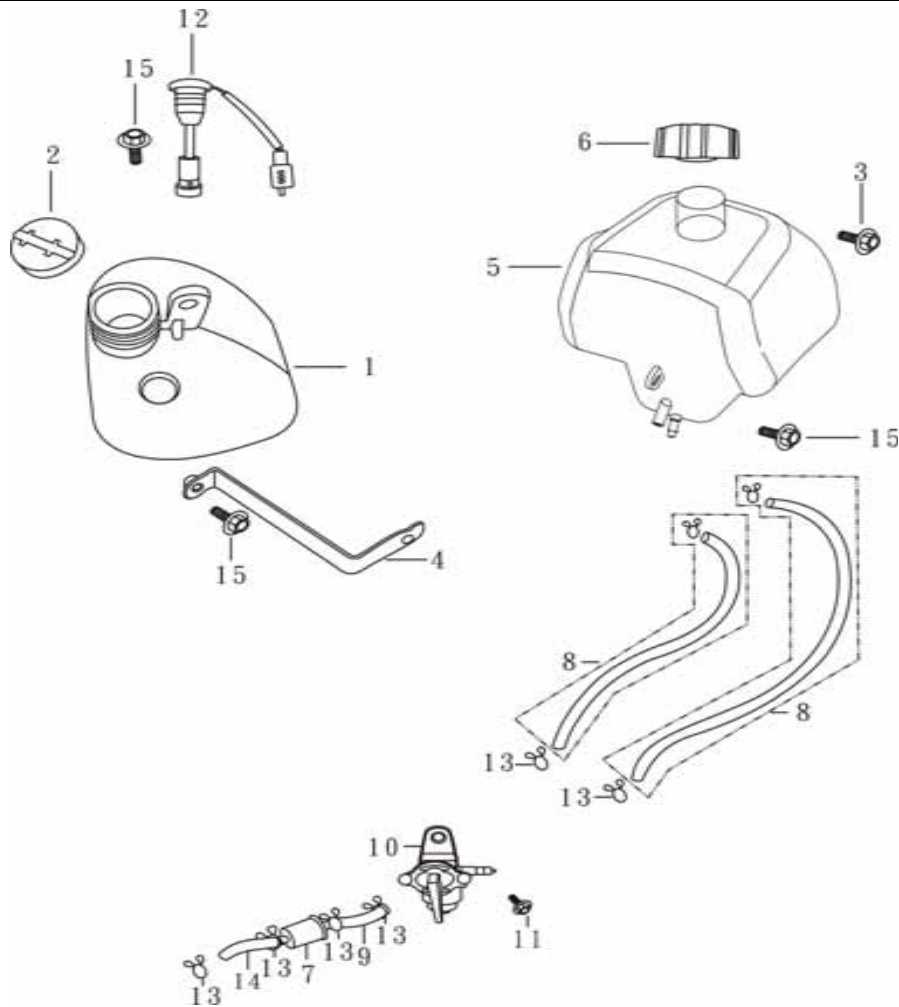


ITEM	UNISON NO.	PARTS NO.	DESCRIPTION	QTY
17	15000010	95800-06045-02	FLANGE BOLT 6X45	4
18	15000011	A1A-81110-00-00	TOOL KIT	1
19	15000012	A1A-81113-00-01	RUBBER	1
20	15000013	93404-06016-03	BOLT W/WASHER 6X16	6
21	15000014	94051-06000-01	FLANGE U NUT 6MM	14
22	15000015	93905-05014-02	TAPPING SCREW 5X14	8
23	15000016	A1A-73519-00-00	CLIP NUT 5MM	4
24	15000017	A1A-35300-00-00	WINKER ASSY.	1
25	15000018	93900-04012-02	TAPPING SCREW 4X12	6
26	15000019	A1A-73537-00-00	CLIP NUT 4MM	6
	15010581	N/A	DC 50 DECAL SET GREY & BLACK	
	15010582	N/A	DC 50 DECAL SET RED & GREY	
	1501059?	N/A	DC 50 PLASTIC SET, ?	131

FOR THE PLASTIC SETS THERE ARE EIGHT COLORS, THE QUESTION MARK (?) NEEDS TO BE FILLED IN WITH THE CORRECT NUMBER AND COLOR, 1-RED, 2-YELLOW, 3-GREEN, 4-BLUE, 5-BLACK, 6-WHITE, 7-ORANGE, 8-GREY

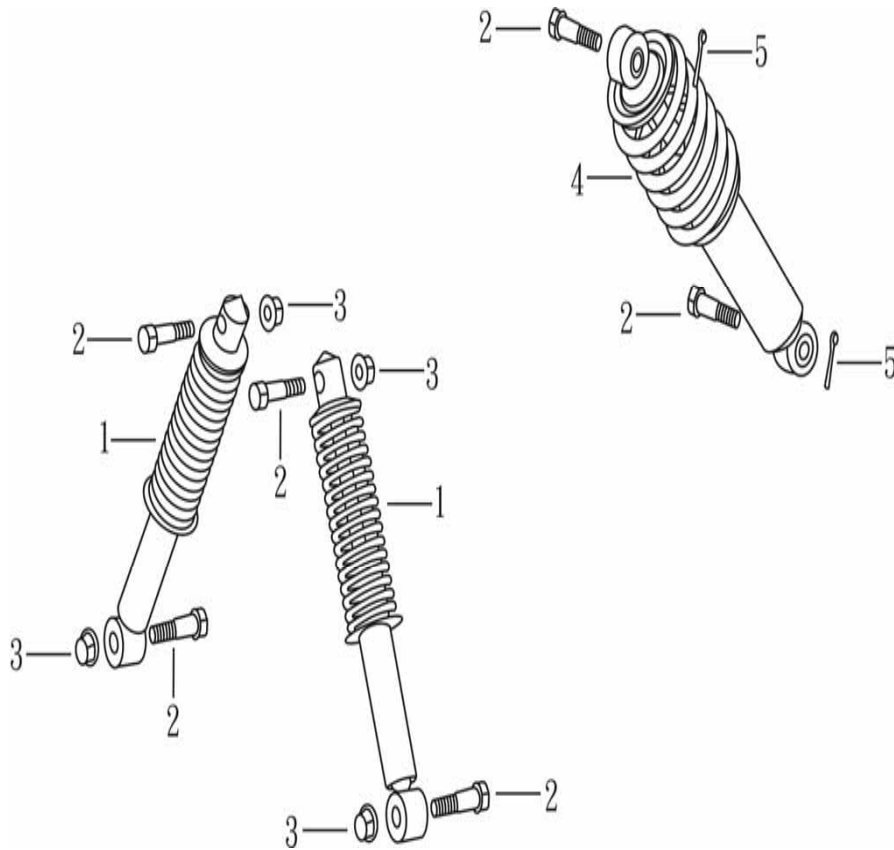


UNISON MOTORS

F3**OIL TANK / FUEL TANK****50CC**

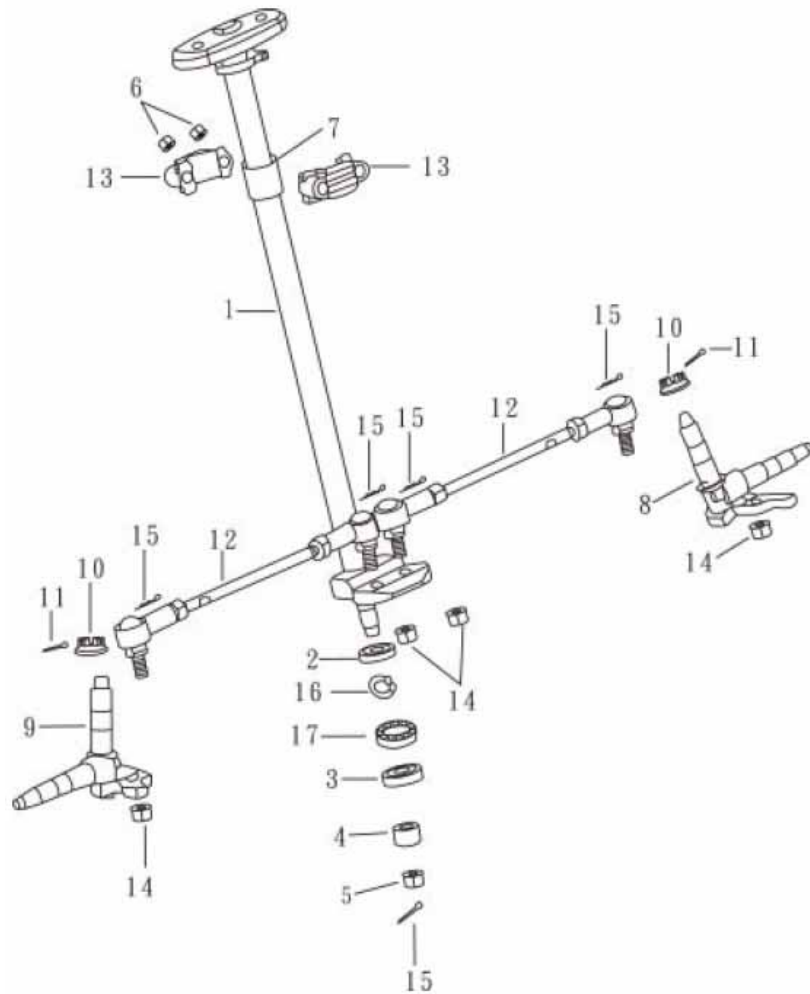
ITEM	UNISON NO.	PARTS NO.	DESCRIPTION	QTY
1	16000001	A1A-63110-00-00	OIL TANK (50&90)	1
2	16000002	A1A-63131-00-00	OIL TANK CAP (50&90)	1
3	16000003	93404-06020-0A	BOLT W/WASHER 6X20	1
4	16000004	A1A-63132-00-00	OIL TANK BRKT (50& 90)	1
5	16000005	A1A-62110-00-00	FUEL TANK COMP.	1
6	16000006	A1A-62211-00-00	FUEL TANK CAP	1
7	16000014	A1A-62410-00-00	FUEL FILTER ASSY.	1
8	16000008	A1A-62371-00-00	FUEL HOSE,1	2
9	16000009	A1A-62372-00-00	FUEL HOSE,2	1
10	16000010	A1A-62310-00-00	FUEL COCK ASSY	1
11	25000010	95800-06012-04	FLANGE BOLT 6X12	1
12	16000011	A1A-63510-00-10	OIL LEVER GAUGE ASSY. (50& 90)	1
13	16000012	94202-12900-00	CLIP	6
14	16000007	A1A-62373-00-00	FUEL HOSE,3	1
15	16000013	93404-06016-0A	BOLT W/ WASHER 6X16	3



F4**SUSPENSION****50CC**

ITEM	UNISON NO.	PARTS NO.	DESCRIPTION	QTY
1	170000915	A1A-57210-00-20	FR.SHOCK ABSORBER ASSY. 2.0KG/MM(black)	2
	170000916	A1A-57210-70-20	FR.SHOCK ABSORBER ASSY. 2.0KG/MM(white)	2
2	17000092	95827-10045-04 95827-10040-04	BOLT W/WHOLE 10X40	6
3	17000001	94061-10000-03	FLANGE U NUT 10MM	11
4	170000935 170000936	A1A-58210-00-00 A1A-58210-70-00	RR. SHOCK ABSORBER ASSY. (BLACK) RR. SHOCK ABSORBER ASSY (WHITE)	1
5	44000005	94251-12221-00	SPLIT PIN 1.2X22	2



F5**STEERING****50CC**

ITEM	UNISON NO.	PARTS NO.	DESCRIPTION	QTY
1	18000001	A1A-72140-00-00	SHAFT STEERING	1
2	18000002	91201-18032-70	OIL SEAL 18X32X7	1
3	18000005	91201-22035-70	OIL SEAL 22X35X7	4
4	18000004	A1A-55446-00-00	COLLAR	4
5	12000001	94061-14000-01	FLANGE U NUT 14MM	2
6	14000020	94051-08000-03	FLANGE NUT 8MM	6
7	18000007	A1A-72158-00-00	SLEEVE	1
8	18000008	A1A-72144-00-00	KNUCKLE,1	1
9	18000009	A1A-72154-00-00	KNUCKLE,2	1
10	18000010	A1A-72168-00-00	NUT 10MM	2
11	18000003	94201-18213-03	SPLIT PIN 1.8X21.3	4
12	18000011	A1A-72143-00-10	STEERING TIE ROD. ASSY. 1	2
13	18000012	A1A-72146-00-00	HOLDER, STEERING SHAFT	2
14	17000001	94061-10000-03	FLANGE U NUT 10MM	11
15	18000013	94201-22305-03	SPLIT PIN 2.2X30.5	5
16	18000014	94521-12320-00	C CLIP - 32MM	1
17	18000006	96123-06002-20	BEARING 6002ZZ	1

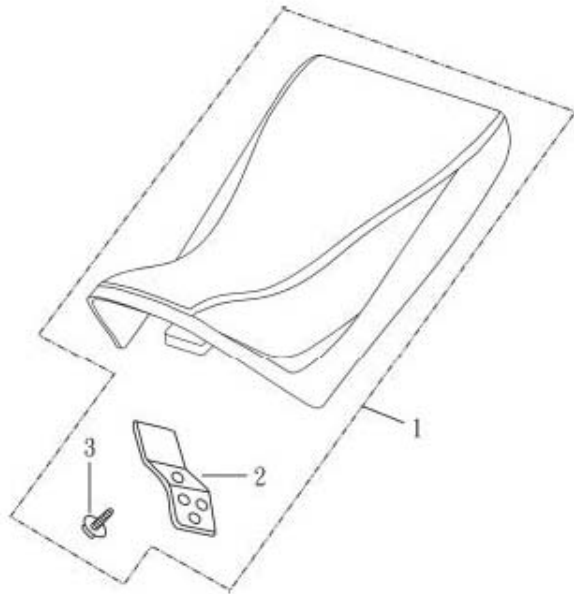


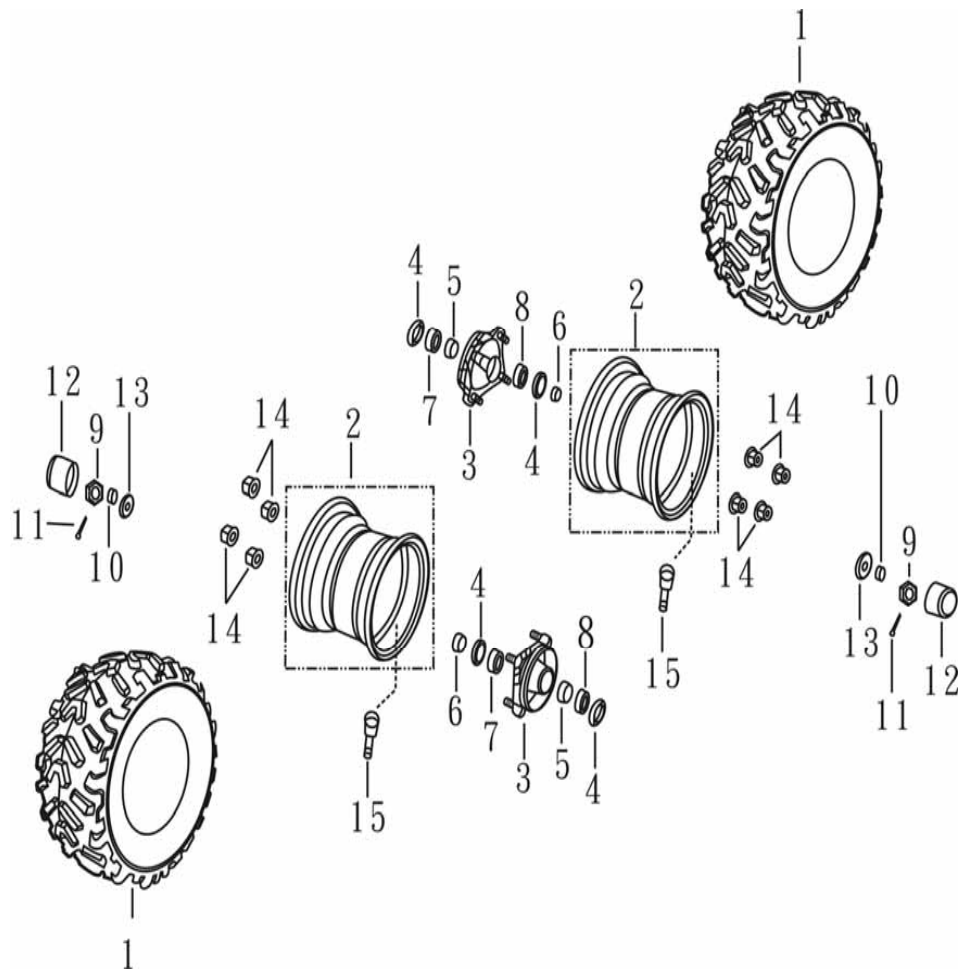
F6

SEAT ASSY.

50CC

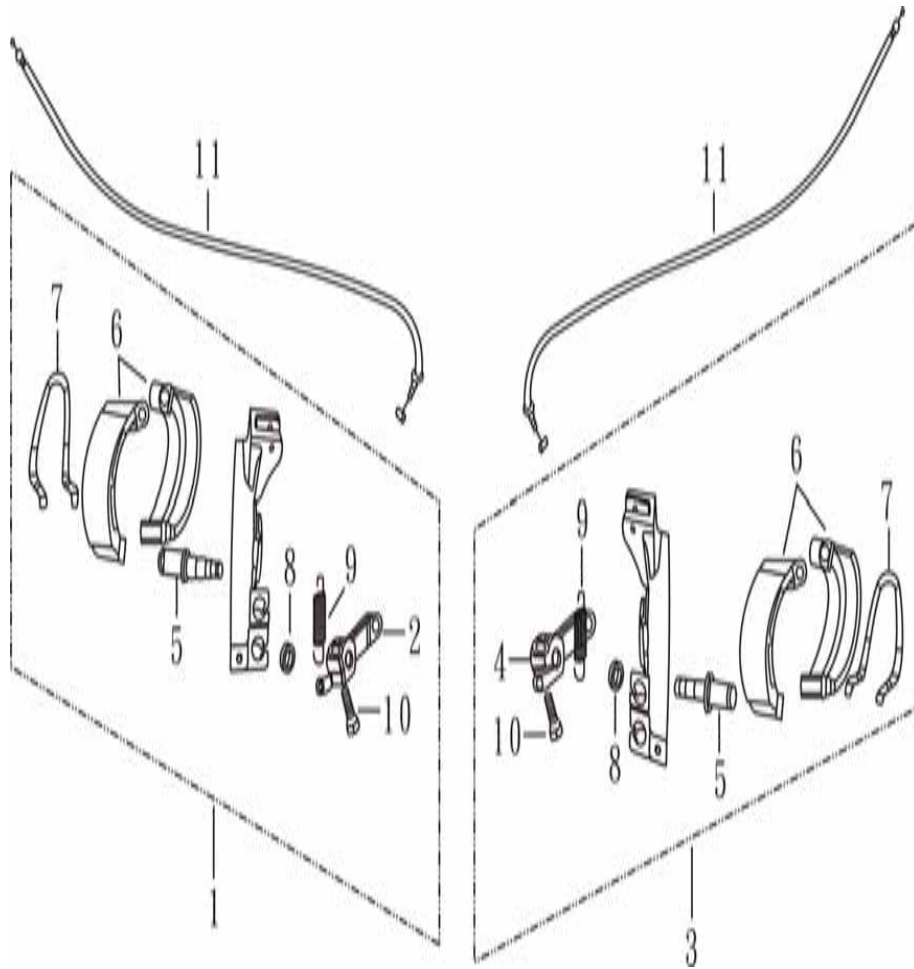
ITEM	UNISON NO.	PARTS NO.	DESCRIPTION	QTY
1	1900002 190105011	A1A-76111-61-00 A1A-76111-10-00	SEAT ASSY. SEAT ASSY (RED)	1
2	1900001	A1A-76162-00-00	BRACKET	1
3	1900007	93900-04012-04	TAPPING SCREW 4X12	2



F7**FRONT WHEEL****50CC**

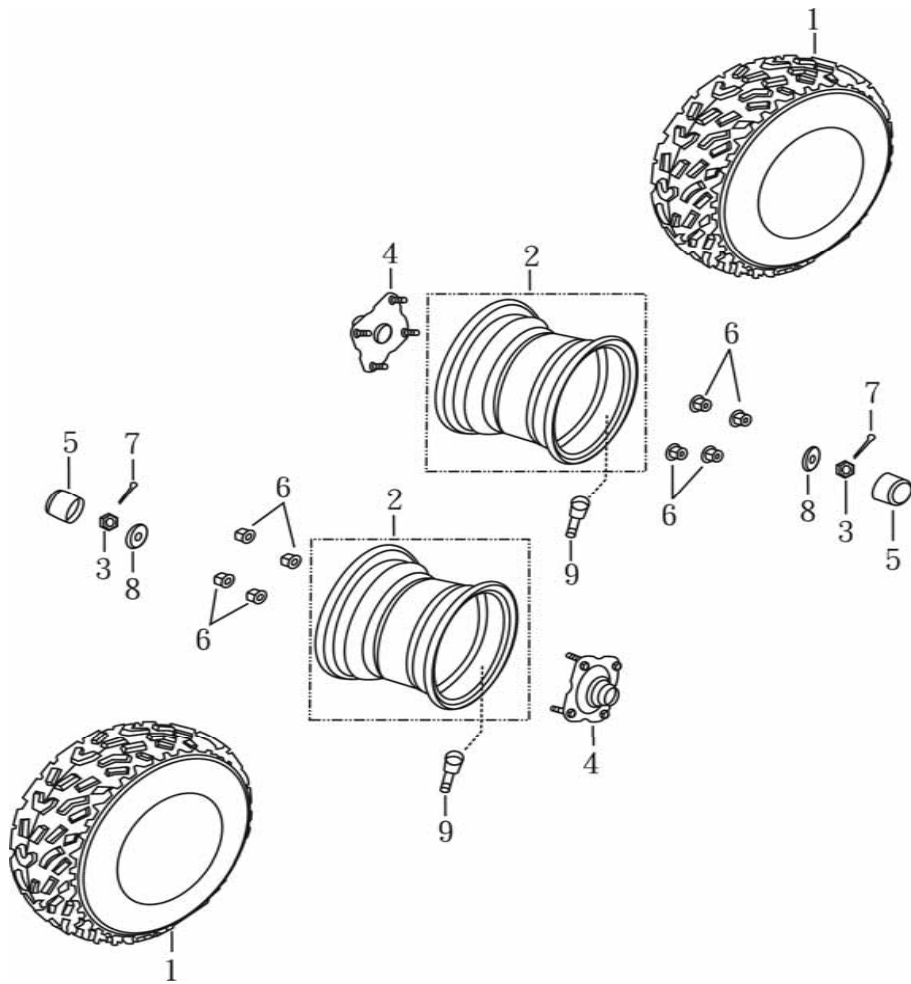
ITEM	UNISON NO.	PARTS NO.	DESCRIPTION	QTY
1	20000011	A2A-53311-00-00	TIRE 16X8-7	2
2	22010502	A1A-53210-00-00	WHEEL COMP. 7X5.2	2
3	20000001	A1A-55442-00-00	FRONT BRAKE DRUM	2
4	18000005	91201-22035-70	OIL SEAL 22X35X7	4
5	20000005	A1A-55456-00-00	COLLAR	2
6	18000004	A1A-55446-00-00	COLLAR	2
7	20000003	96120-06003-10	BALL BEARING 6003Z	2
8	20000002	96120-06002-10	BALL BEARING 6002Z	2
9	20000007	A1A-53266-00-00	CASTLE NUT 12MM	2
10	20000004	A1A-53257-00-00	WASHER	2
11	18000015	94201-22305-00	SPLIT PIN 2.2X30.5	2
12	20000008	A1A-53268-00-00	RUBBER CAP	2
13	20000018	A1A-53256-00-00	WASHER	2
14	17000001	94061-10000-03	FLANGE U NUT 10MM	11
15	20000006	A1A-53322-00-00	RIM VALVE	2



F8**FRONT BRAKE****50CC**

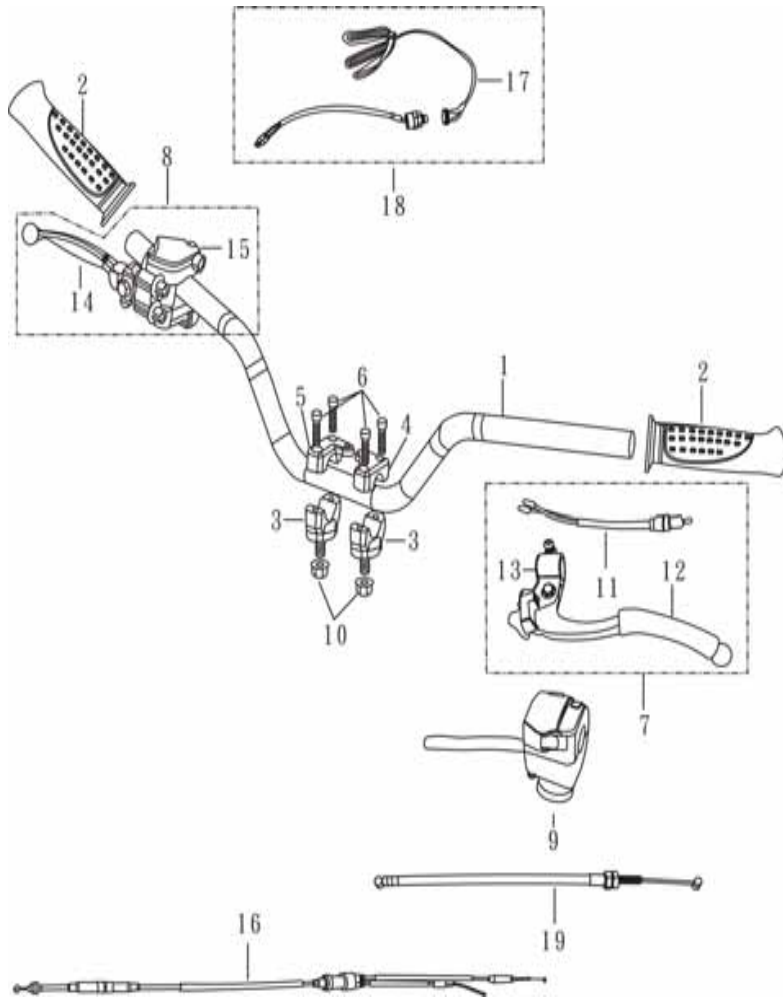
ITEM	UNISON NO.	PARTS NO.	DESCRIPTION	QTY
1	21000001	A1A-55450-00-00	FRONT BRAKE PANEL ASSY,R	1
2	21000028	A1A-55612-00-00	CAM SHAFT LEVER,2	1
3	21000002	A1A-55440-00-00	FRONT BRAKE PANEL ASSY.L	1
4	21000003	A1A-55611-00-00	CAM SHAFT LEVER,1	1
5	21000004	A1A-55621-00-00	CAM SHAFT,1	2
6	21000005	A1A-55420-00-00	BRAKE SHOE KIT	4
7	21000006	A1A-55461-00-00	SPRING	2
8	21000007	A1A-55638-00-00	DUST SEAL	2
9	21000008	A1A-55635-00-00	TENSION SPRING	2
10	21000009	A1A-55616-00-00	BOLT 5X23	2
11	21000010	A1A-68111-00-00	BRAKE CABLE,1	2



F9**REAR WHEEL****50CC**

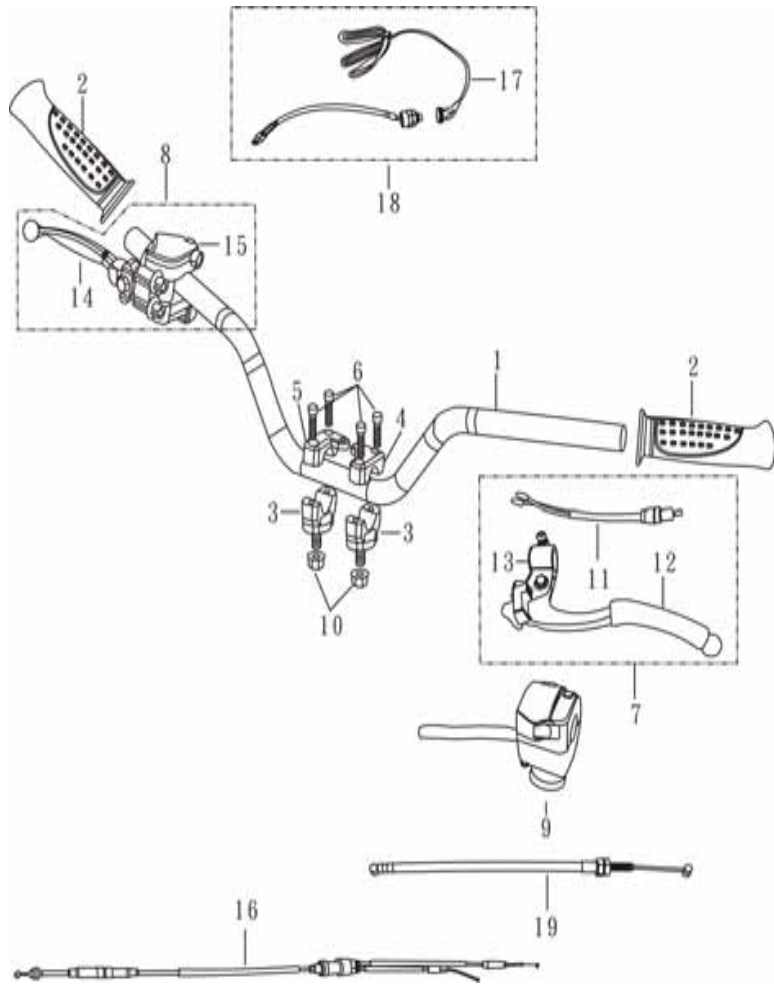
ITEM	UNISON NO.	PARTS NO.	DESCRIPTION	QTY
1	22010501	A1A-53311-00-00	TIRE 16X8-7	2
2	22010502	A1A-53210-00-00	WHEEL COMP. 7X5.2	2
3	22000001	A1A-54266-00-00	CASTLE NUT 14MM	2
4	22000002	A1A-54223-00-00	REAR WHEEL CONNECTOR	2
5	20000008	A1A-53268-00-00	RUBBER CAP	2
6	17000001	94061-10000-03	FLANGE U NUT 10MM	8
7	18000015	94201-22305-03	SPLIT PIN 2.2X30.5	5
8	22000004	A1A-54256-00-00	WASHER	2
9	20000006	A1A-53322-00-00	RIM VALVE	2



F10**HANDLE BAR****50CC**

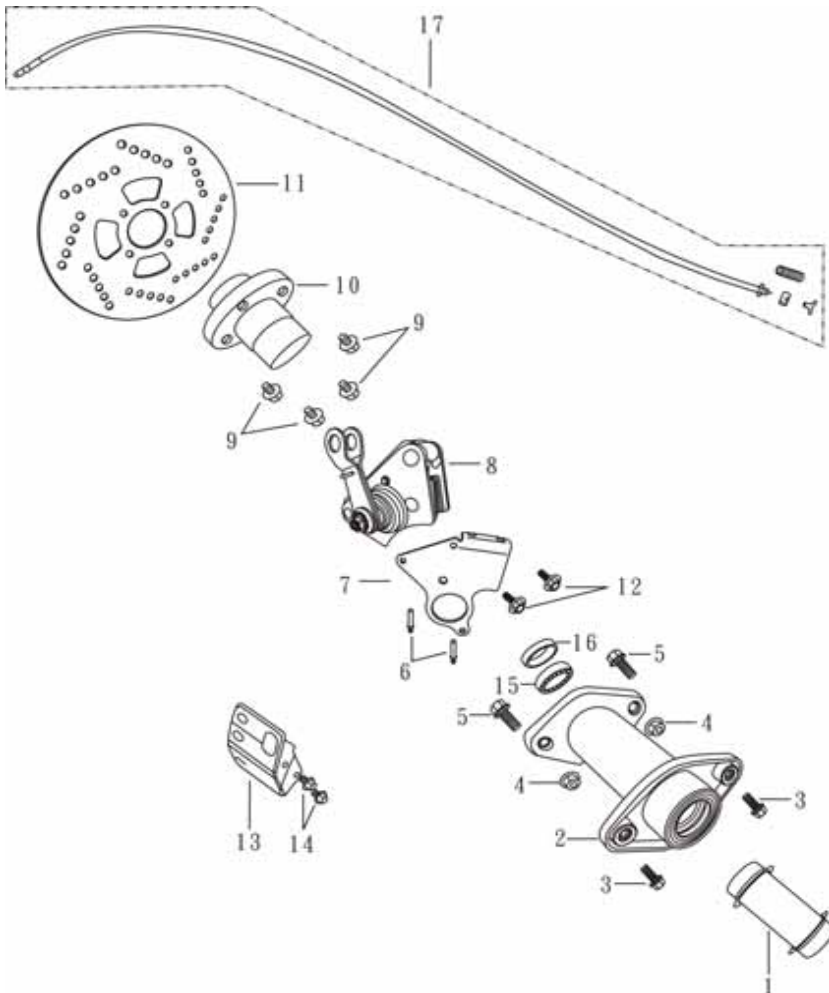
ITEM	UNISON NO.	PARTS NO.	DESCRIPTION	QTY
1	23010501	A1A-72110-00-10	HANDLE COMP.	1
2	23000001	A1A-72251-00-01	GRIP	2
3	23000004	A1A-72222-00-00	HANDLE HOLDER ASSY.	2
4	23000005	A1A-72225-00-00	HANDLE HOLDER COVER,1	1
5	23000006	A1A-72235-00-00	HANDLE HOLDER COVER,2	1
6	23000003	96700-06025-02	SOCKET BOLT 6X25	4
7	23010507	A2A-37750-00-00	LEVEL ASSY. LEFT	1
8	23000015	A2A-37850-00-00	LEVEL ASSY. RIGHT	1
9	23010502	A1A-37700-00-00	LEFT HANDLE SWITCH ASSY.	1
10	17000001	94061-10000-03	FLANGE U NUT 10MM	11
11	23000007	A1A-37770-00-00	STOP SWITCH ASSY.	1
12	23000008	A1A-72253-00-00	LEFT LEVER	1
13	23000009	A1A-37751-0-00	LEFT BODY	1
14	23000010	A1A-72263-00-00	RIGHT LEVER	1
15	23000016	A2A-37851-00-00	RIGHT BODY	1



F10**HANDLE BAR****50CC**

ITEM	UNISON NO.	PARTS NO.	DESCRIPTION	QTY
16	23000011	A1A-68410-00-00	THROTTLE CABLE ASSY.	1
17	23000002	A1A-66212-00-12	SAFETY SWITCH	1
18	23000012	A1A-68610-00-00	MANUAL CHOCK CABLE	1



F11**REAR DISC ASSY.****50CC**

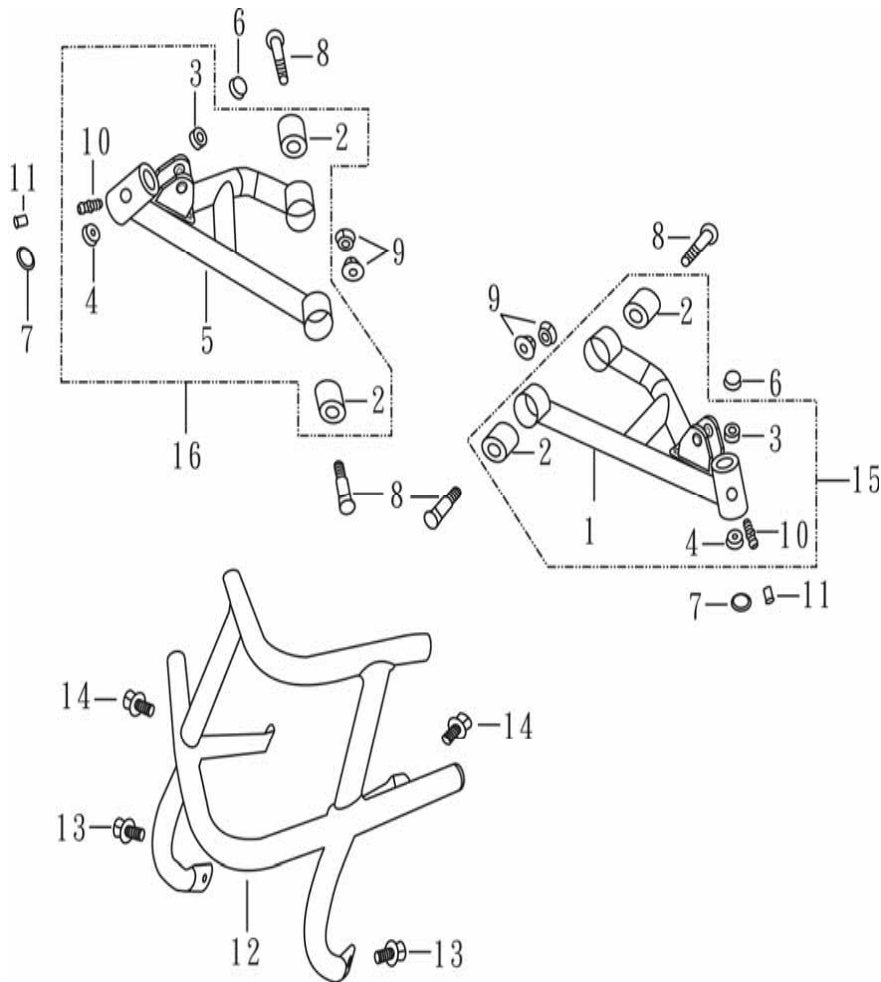
ITEM	UNISON NO.	PARTS NO.	DESCRIPTION	QTY
1	31000013	A1A-54522-00-01	SPACER TUBE	1
2	44000001	A1A-54521-00-01	REAR WHEEL AXLE SEAT	1
3	31000001	95800-12028-02	FLANGE BOLT (BLACK)	2
4	44000013	94060-12000-03	FLANGE NUT 12MM	2
5	31000002	95800-12050-02	BOLT 12X50	2
6	44000002	A1A-56029-00-00	CALIPER STAY BOLT	2
7	44000008	A1A-56022-00-10	CALIPER STAY	1
8	44000004	A1A-56020-00-10	CALIPER ASSY.	1
9	31000004	96700-06014-04	SOCKET BOLT 6X14	4
10	44000018	A1A-56034-00-00	BRAKE DISK STAY	1
11	31000006	A1A-56033-00-00	BRAKE DISC	1
12	29000003	95800-08012-02	FLANGE BOLT 8X12	3
13	24000011	A1A-56443-00-00	REAR BRAKE COVER	1
14	29000003	95800-08012-02	FLANGE BOLT 8X12	3
15	24000003	96120-06006-20	BALL BEARING 6006Z	1
16	24000001	91201-35055-11	OIL SEAL 35X55X11	1
17	45010517	A1A-68210-00-03	BRAKE CABLE	1



F12

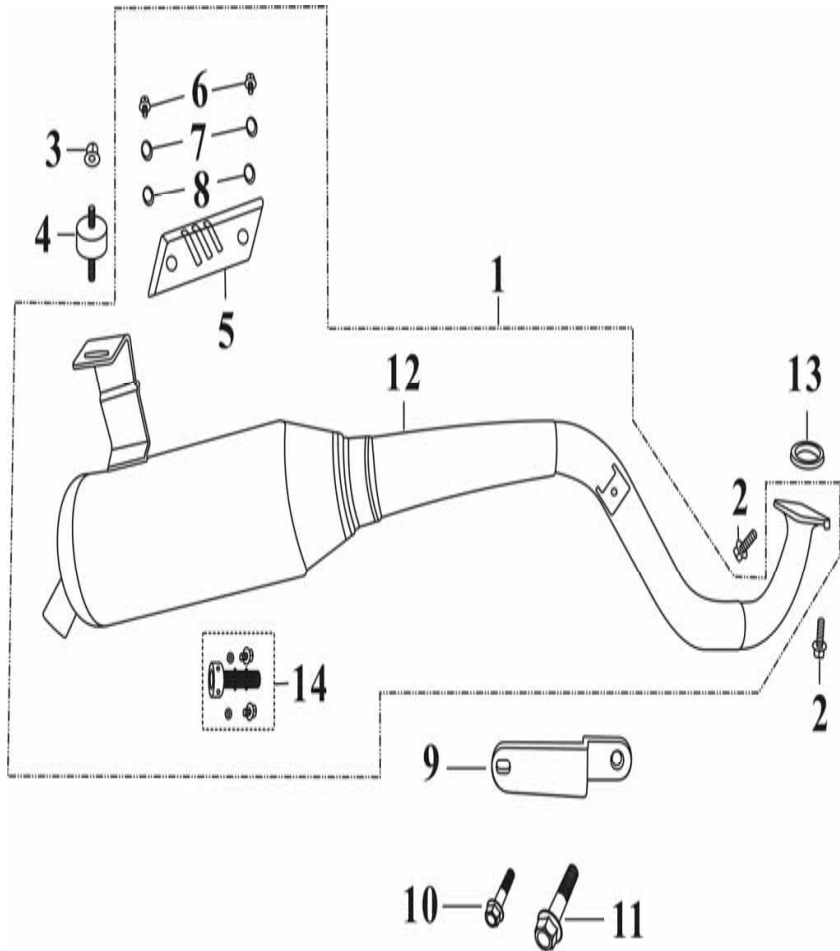
SWING ARM/ FOOTREST/ FEND BAR

50CC



ITEM	UNISON NO.	PARTS NO.	DESCRIPTION	QTY
1	25000022	A1A-57311-00-00	FRONT SWING ARM,1	1
2	25000002	A1A-57339-00-00	BUSH	4
3	25000003	A1A-57358-00-00	BUSH CONTAIN OIL,2	2
4	25000004	A1A-57357-00-00	BUSH CONTAIN OIL,1	2
5	25000008	A1A-57321-00-00	FRONT SWING ARM,2	1
6	25000006	A1A-57329-00-00	WATERPROOF COVER	2
7	25000007	A1A-57336-00-00	DUST SEAL	2
8	25000024	95801-10048-02	FLANGE BOLT 10X48	4
9	17000001	94061-10000-03	FLANGE U NUT 10MM	11
10	25000011	A1A-57367-00-00	GREASE VALVE	6
11	25000005	A1A-57368-00-00	GREASE VALVE CAP	2
12	25000009	A1A-52151-60-00	FRONT FENDER ROD	1
13	14000019	95800-08016-02	FLANGE BOLT 8X16	8
14	25000027	95800-06012-02	FLANGE BOLT 6X12	2
15	25000001	A1A-57310-00-00	FRONT SWING ARM ASSY,1	1
16	25000092	A1A-57320-00-00	FRONT SWING ARM ASSY,2	1



F13**MUFFLER ASSY.****50CC**

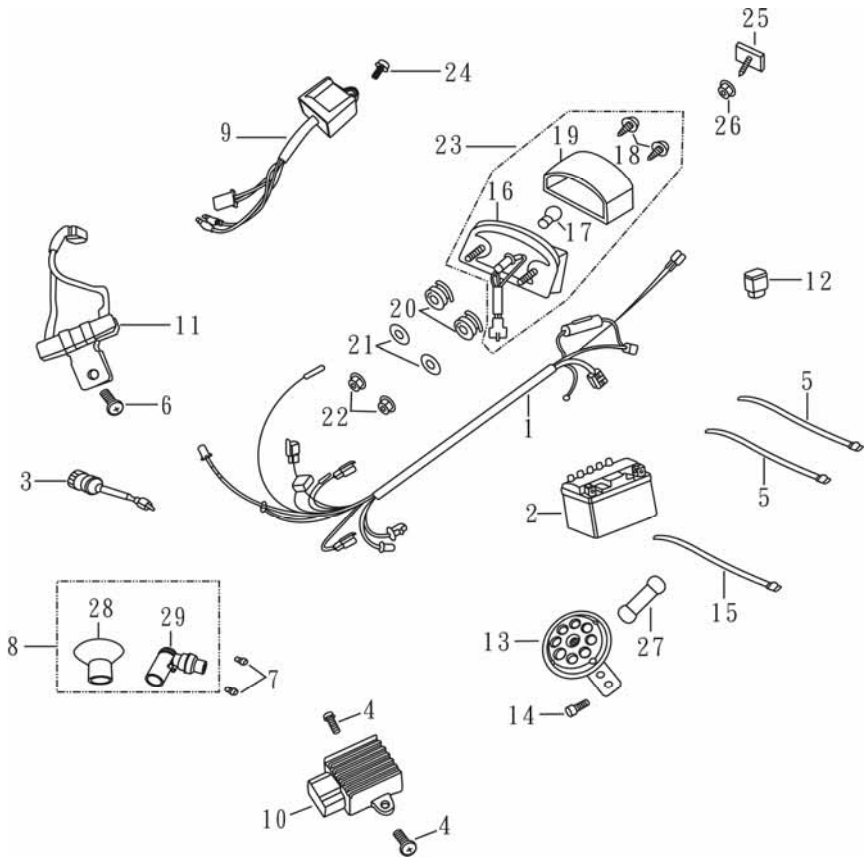
ITEM	UNISON NO.	PARTS NO.	DESCRIPTION	QTY
1	26000091	A1A-28200-00-11	EXHAUST PIPE ASSY.	1
2	26000001	95810-06018-03	FLANGE BOLT 6X18	2
3	14000020	94051-08000-03	FLANGE NUT 8MM	6
4	26000003	A1A-28156-00-00	DAMPER	1
5	26000004	A1A-28112-00-00	MUFFLER PROTECTOR,2	1
6	26000005	96000-06012-70	FLANGE BOLT 6X12	2
7	26000006	94101-06083-70	PLATE WASHER 6MM	2
8	26010508	94101-06084-90	PLATE WASHER 6MM	2
9	26000007	A1A-28155-00-10	EXHAUST BRKT.	1
10	25000010	95800-06012-04	FLANGE BOLT 6X12	1
11	14000010	95800-08020-02	FLANGE BOLT 8X20	4
12	26000008	A1A-28210-00-11	EXHAUST PIPE COMP.	1
13	26000002	A1A-28131-00-00	EXHAUST PIPE GASKET	1
14	26000092	A1A-28260-00-00	SPARK COLLECTOR	1



F14

ELECTRICAL PARTS

50CC



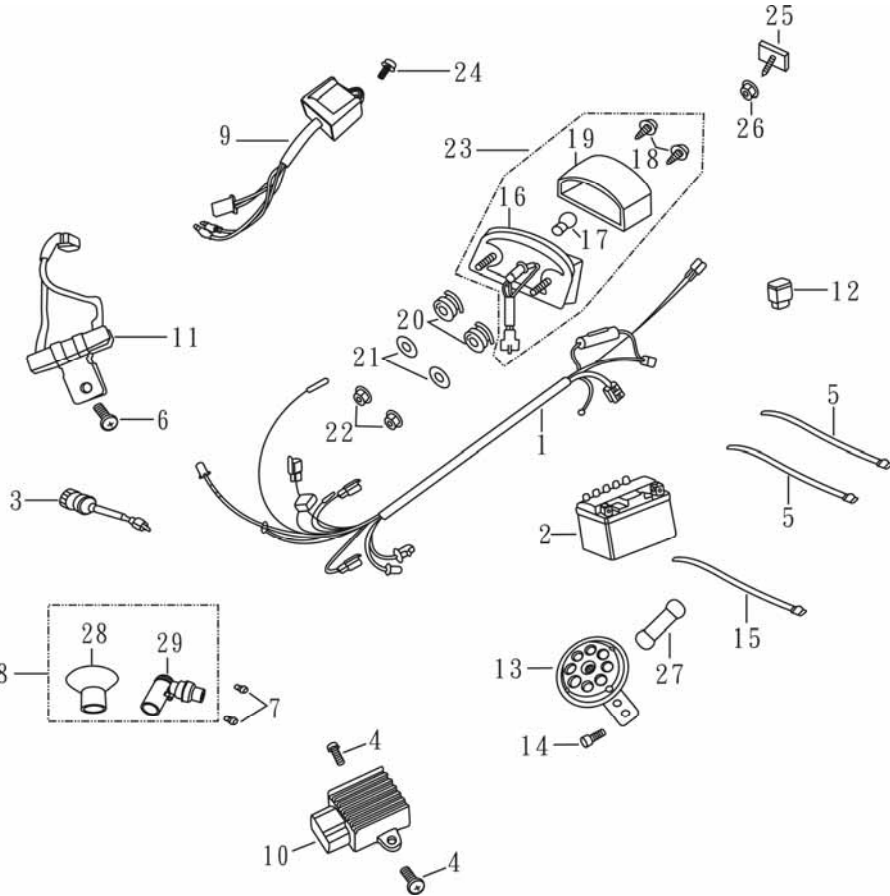
ITEM	UNISON NO.	PARTS NO.	DESCRIPTION	QTY
1	27000091	A1A-33610-00-10	WIRE HARNESS ASSY.	1
2	27000092	A1A-33410-00-01	BATTERY ASSY.	1
3	27000009	A1A-66210-00-00	MAIN SWITCH ASSY.	1
4	27000001	93500-05012-03	PAN HEAD SCREW 5X12	2
5	27000039	94402-02502-01	BAND 250	10
6	27000003	93500-06012-02	PAN HEAD SCREW 6X12	2
7	27000004	92000-06016-02	BOLT 6X16	2
8	27000093	M1A-33140-00-00	IGNITION COIL ASSY.	1
9	27000005	M2A-33110-00-00	C.D.I ASSY.	1
10	27000006	M1A-31310-00-00	REG.REC. COMP.	1
11	27000007	A1A-38410-00-00	RESISTOR COMP.	1
12	27000008	M1A-38310-00-00	STARTER RELAY	1
13	27000010	A1A-38210-00-00	HORN	1
14	25000010	95800-06012-04	FLANGE BOLT 6X12	5
15	27000002	94404-03001-01	BAND 300MM	1
16	27000011	A1A-35411-00-00	TAIL LIGHT BASE	1
17	27000035	A1A-35451-00-00	BULB 12V-21/5W	1



F14

ELECTRICAL PARTS

50CC



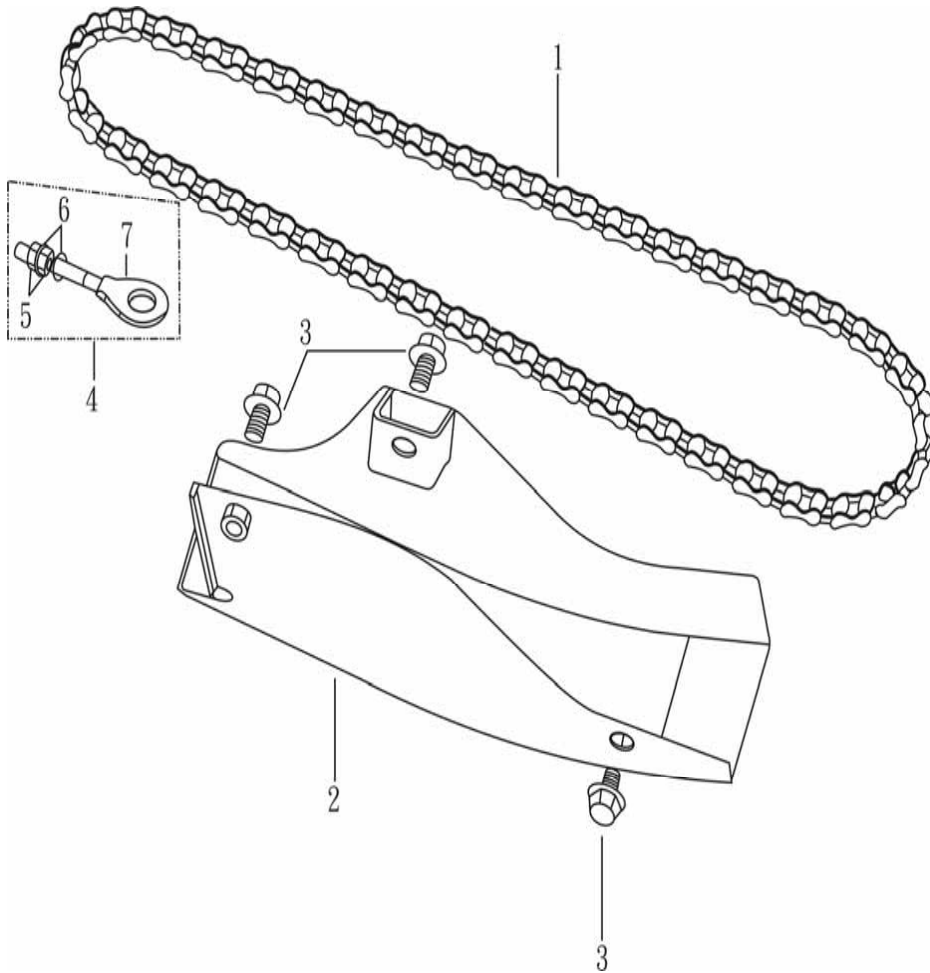
ITEM	UNISON NO.	PARTS NO.	DESCRIPTION	QTY
18	27000012	93910-04038-03	TAPPING SCREW 4X38	2
19	27000013	A1A-35412-00-00	TAIL LIGHT LENS	1
20	14000044	A1A-52158-00-00	DAMPER,3	7
21	09000002	94101-06193-00	PLATE WASHER 6MM	4
22	15000014	94051-06000-01	FLANGE U NUT 6MM	14
23	27000094	A1A-35400-00-00	TAIL LIGHT ASSY.	1
24	27000014	93891-06020-04	PAN HEAD SCREW 6X20	4
25	27000015	A1A-35427-00-00	RR. REFLECTOR (E MARK)	2
26	27000016	94050-05000-01	FLANGE NUT 5MM	1
27	27000017	A1A-81113-00-00	RUBBER	1
28	27000018	M1A-33161-00-00	PLUG STAY	1
29	27000019	M1A-33151-00-00	PLUG CUP COMP.	1



F15**REAR WHEEL AXLE****50CC**

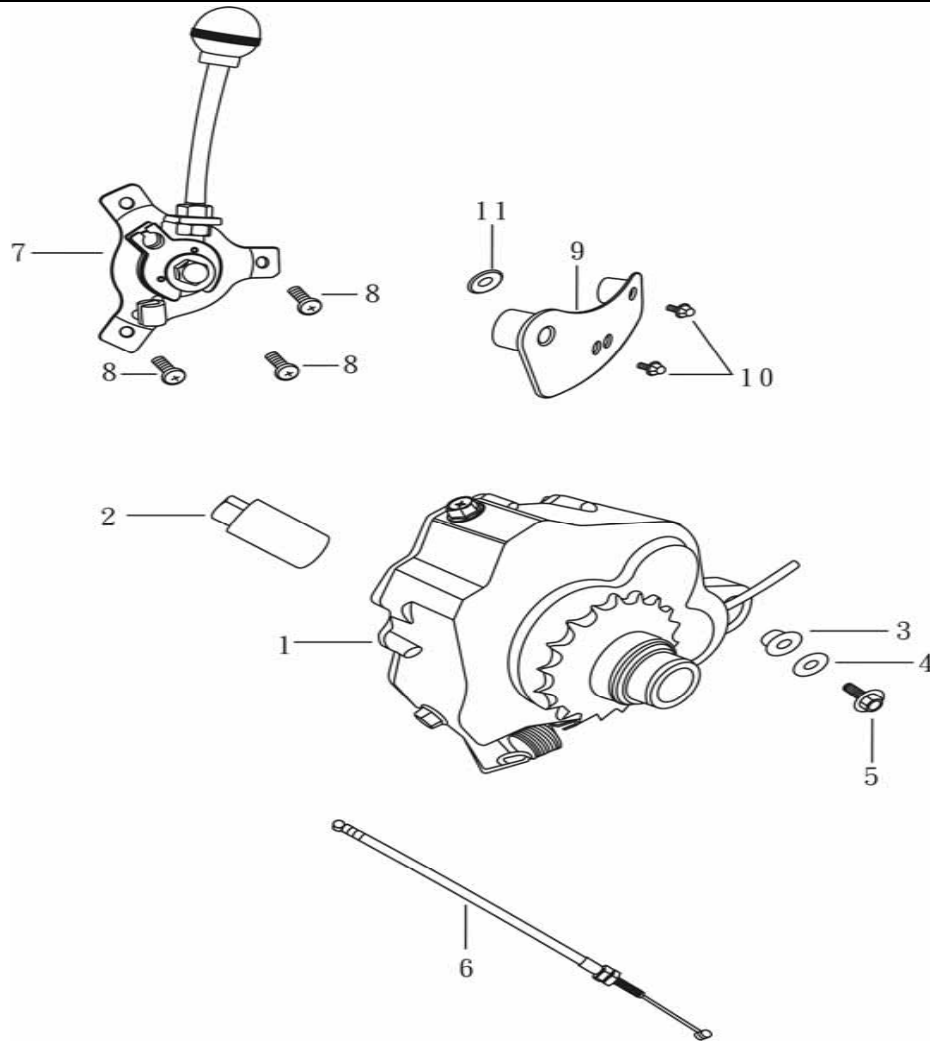
ITEM	UNISON NO.	PARTS NO.	DESCRIPTION	QTY
1	28000001	A1A-54511-00-11	REAR WHEEL AXLE	1
2	14000010	95800-08020-02	FLANGE BOLT 8X20	4
3	28000003	94111-08145-33	SPRING WASHER 8MM	3
4	28000091	A1A-26950-00-00	SPROCKET ASSY 428-35T	1
5	28000004	A1A-26955-00-00	SPROCKET HOLDER	1
6	28000005	A1A-26930-00-00	SPROCKET	1
7	28000006	A1A-26956-00-00	COLLAR	1
8	28000007	A1A-54524-00-00	CASTLE NUT 28MM	2
9	28000092	A1A-54537-00-00	WASHER	1
10	28010909	A1A-26942-00-00	CHAIN CASE, 2	1
11	14000016	95800-08014-02	FLANGE BOLT 8X14	14
12	22000003	A1A-26970-00-00	CHAIN TENSIONER	1



F16**CHAIN****50CC**

ITEM	UNISON NO.	PARTS NO.	DESCRIPTION	QTY
1	29000001	A1A-26960-00-10	DRIVE CHAIN 428HX86	1
2	29000002	A1A-26941-00-00	CHAIN CASE,1	1
3	29000003	95800-08012-02	FLANGE BOLT 8X12	3
4	29000005	A1A-56470-00-00	CHAIN ADJUSTER ASSY.,1	1
5	29000004	94001-06000-01	HEX NUT 6MM	2
6	29000006	94101-06131-01	WASHER	2
7	29000007	A1A-56471-00-00	CHAIN ADJUSTER	1



F17**REVERSE ASSY.****50CC**

ITEM	UNISON NO.	PARTS NO.	DESCRIPTION	QTY
1	30000091	M1A-29000-00-01	REVERSE GEAR BOX ASSY.	1
2	30010502	M1A-29013-00-01	BOLT	1
3	17000001	94061-10000-03	FLANGE U NUT 10MM	11
4	30000001	94101-10224-23	WASHER	1
5	30000006	95802-10040-03	FLANGE BOLT 10X40	4
6	30010506	A1A-72291-00-00	REVERSE CABLE	1
7	30000002	A1A-72290-00-00	REVERSE LEVER ASSY.	1
8	07000021	93500-06012-03	PAN HEAD SCREW 6X12	3
9	30000003	M1A-29011-00-10	FIXED PLATE	1
10	14000006	95701-08036-02	HEX. FLANGE BOLT 8X36	2
11	30000004	94101-08209-22	WASHER	2

