



UNISON

ILLUSTRATED PARTS LIST

MODELS 2004 AND UP (VER.A)

DESERT CAT 70/90

F1**FRAME BODY****70 / 90 / 110 CC**

ITEM	UNISON NO.	PARTS NO.	DESCRIPTION	QTY		
				70	90	110
1	14000040	C4A-51110-00-00	FRAME COMP.	1	1	1
2	14000041	A1A-52146-00-01	RUBBER	2	2	2
3	14000042	C4A-58110-00-01	REAR FORK COMP	0	1	1
3-1	14000043	C4A-58110-00-00	REAR FORK COMP (70cc)	1	0	0
4	12000001	94061-14000-01	FLANGE U NUT 14MM	2	2	2
5	14000003	A1A-58175-00-00	RUBBER SLEEVE	1	1	1
6	14000004	A1A-58165-00-00	REAR FORK SEAL COVER	2	2	2
7	14000005	A1A-58155-00-00	BUSHING CONTAIN OIL	2	2	2
8	14000046	A1A-58151-00-00	REAR FORK SPACER SLEEVE	1	1	1
9	14000047	A1A-58161-00-01	REAR FORK SET BOLT (320L)	1	1	1
10	14000048	95800-10060-03	FLANGE BOLT 10X60	2	2	2
11	17000001	94061-10000-03	FLANGE U NUT 10MM	11	11	11
12	14000017	A1A-52144-00-10	FOOT REST	2	2	2
13	14000022	A1A-52159-00-10	DAMPER,4	4	4	4
14	14000019	95800-08016-02	FLANGE BOLT 8X16	8	8	8

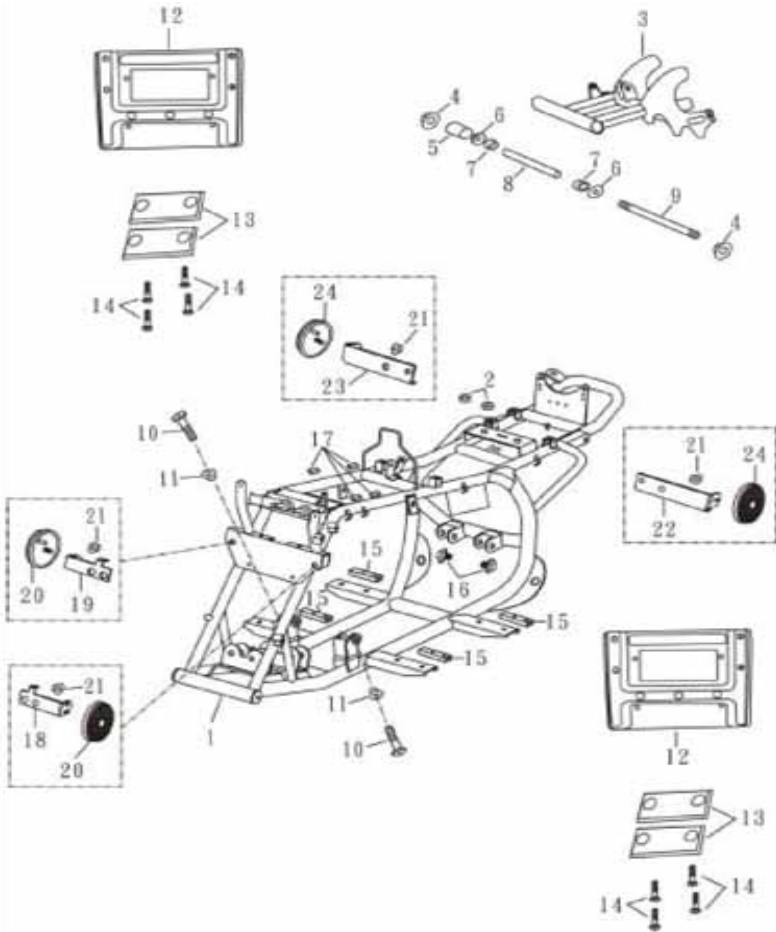


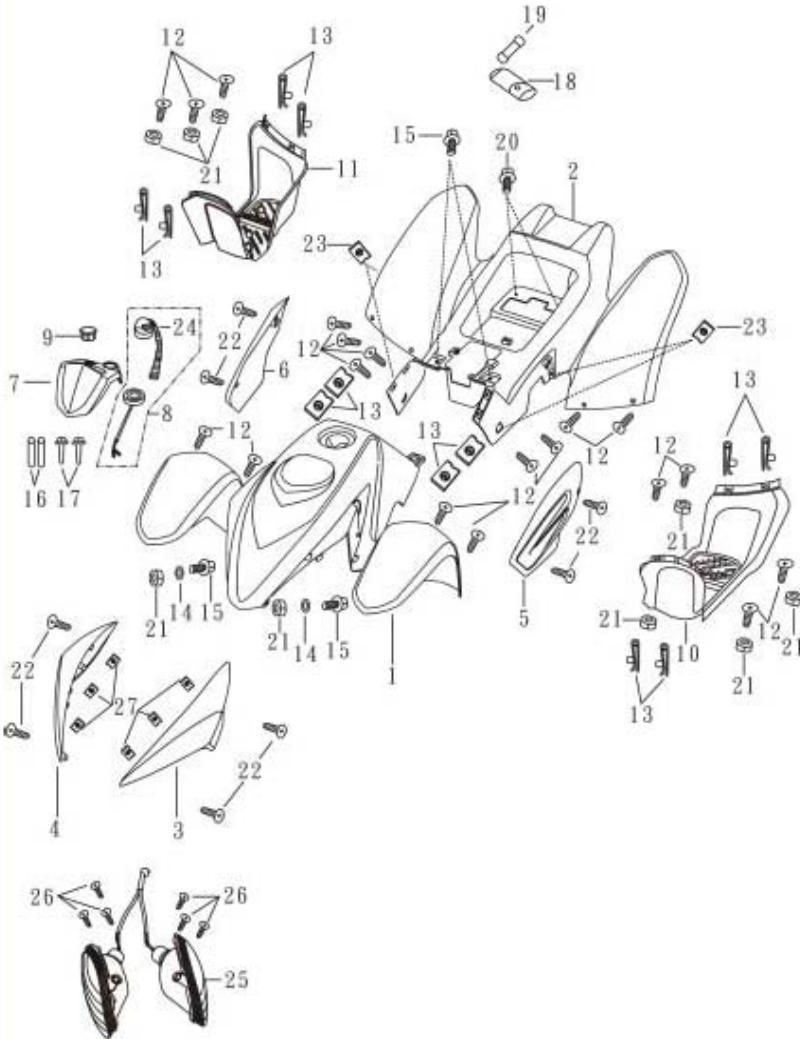
F1

FRAME BODY

70 / 90 / 110 CC

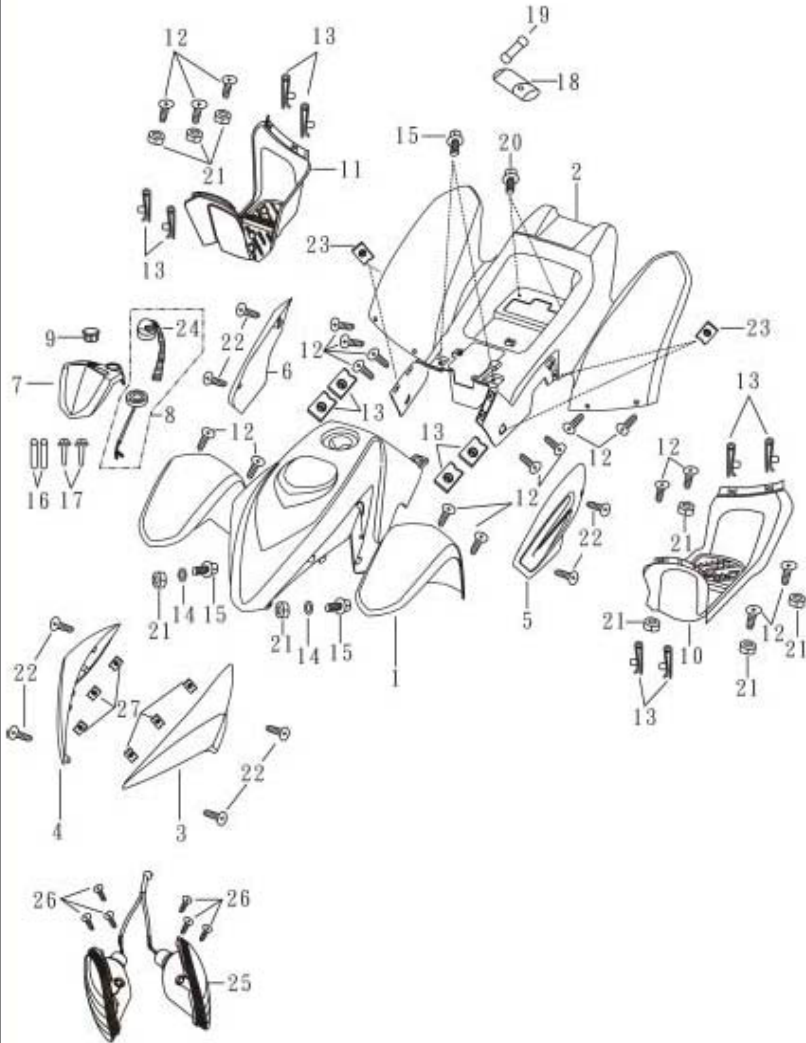
ITEM	UNISON NO.	PARTS NO.	DESCRIPTION	QTY		
				70	90	110
15	14000018	A1A-52157-00-00	DAMPER,2	4	4	4
16	14000006	95701-08036-02	HEXAGON FLANGE BOLT 8X36	2	2	2
17	14000023	A1A-52156-00-00	DAMPER,1	8	8	8
18	14000050	A1A-35837-00-00	F.L SIDE RETVO RELLETER BRACKET	1	1	1
19	14000051	A1A-35847-00-00	F.R SIDE RETVO RELLETER BRACKET	1	1	1
20	14000052	A1B-35835-00-00	RR.REFLECTOR (E MARK) - O	2	2	2
21	15000014	94051-06000-01	FLANGE U NUT 6MM	14	14	14
22	14000054	A1A-35857-00-00	R.L SIDE RETVO RELLETER BRACKET	1	1	1
23	14000055	A1A-35867-00-00	R.R SIDE RETVO RELLETER BRACKET	1	1	1
24	14000056	A5D-35427-00-00	RR.REFLECTOR (E MARK) - R	2	2	2



F2**SIDE COVER****70 / 90 / 110CC**

ITEM	UNISON NO.	PARTS NO.	DESCRIPTION	QTY		
				70	90	110
1	15000020	A1A-73511-60-00	FRONT COVER (BLACK)	1	1	1
2	15000027	A1A-73521-60-10	REAR COVER (BLACK)	1	1	1
3	15000031	A1A-73531-00-11	SIDE COVER, 1 (L)	1	1	1
4	15000041	A1A-73541-00-11	SIDE COVER, 2 (R)	1	1	1
5	15000058	A1A-73551-82-00	SIDE COVER, 3 (L) GREY	1	1	1
6	15000068	A1A-73561-82-00	SIDE COVER, 4 (R) (GREY)	1	1	1
7	15000033	A1A-72311-60-00	HANDLE COVER (BLACK)	1	1	1
8	15000003	A1A-66212-00-00	SAFETY SWITCH	1	1	1
9	15000001	A1A-72315-00-00	HOLE PLUG	2	2	2
10	15000037	A1A-73411-00-00	FOOTWELL,1	1	1	1
11	15000040	A1A-73421-00-00	FOOTWELL,2	1	1	1
12	15000006	93530-06018-02	PAN HEAD SCREW 6X18	40	40	40
13	15000007	A1A-73518-00-00	CLIP NUT 6MM	16	16	16
14	09000002	94101-06193-00	PLATE WASHER 6MM	4	4	4
15	15000008	93404-06020-03	BOLT W/WASHER 6X20	6	6	6



F2**SIDE COVER****70 / 90 / 110CC**

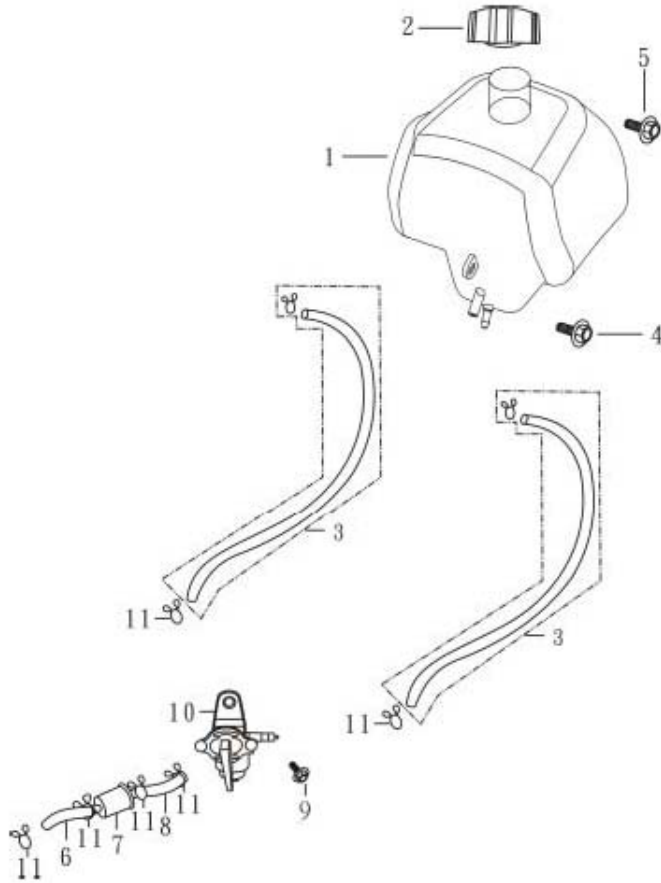
ITEM	UNISON NO.	PARTS NO.	DESCRIPTION	QTY		
				70	90	110
16	1500009	A1A-72325-00-00	COLLAR	2	2	2
17	1500010	95800-06045-02	FLANGE BOLT 6X45	4	4	4
18	1500011	A1A-81110-00-00	TOOL KIT	1	1	1
19	1500012	A1A-81113-00-01	RUBBER	1	1	1
20	1500013	93404-06016-03	BOLT W/WASHER 6X16	6	6	6
21	1500014	94051-06000-01	FLANGE NUT 6MM	14	14	14
22	1500015	93905-05014-02	TAPPING SCREW 5X14	8	8	8
23	1500016	A1A-73519-00-00	CLIP NUT 5MM	4	4	4
24	1500043	A1A-66214-00-00	TETHER SWITCH CAP / LANYARD CORD ASSY.	2	2	2
25	1500017	A1A-35300-00-00	WINKER ASSY.	1	1	1
26	1500018	93900-04012-02	TAPPING SCREW 4X12	6	6	6
27	1500019	A1A-73537-00-00	CLIP NUT 4MM	6	6	6



F3

OIL TANK / FUEL TANK

70 / 90 / 10CC

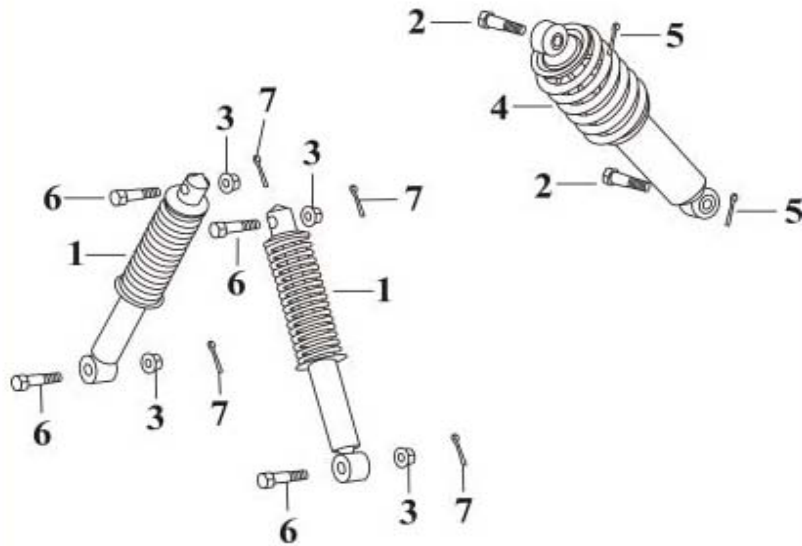


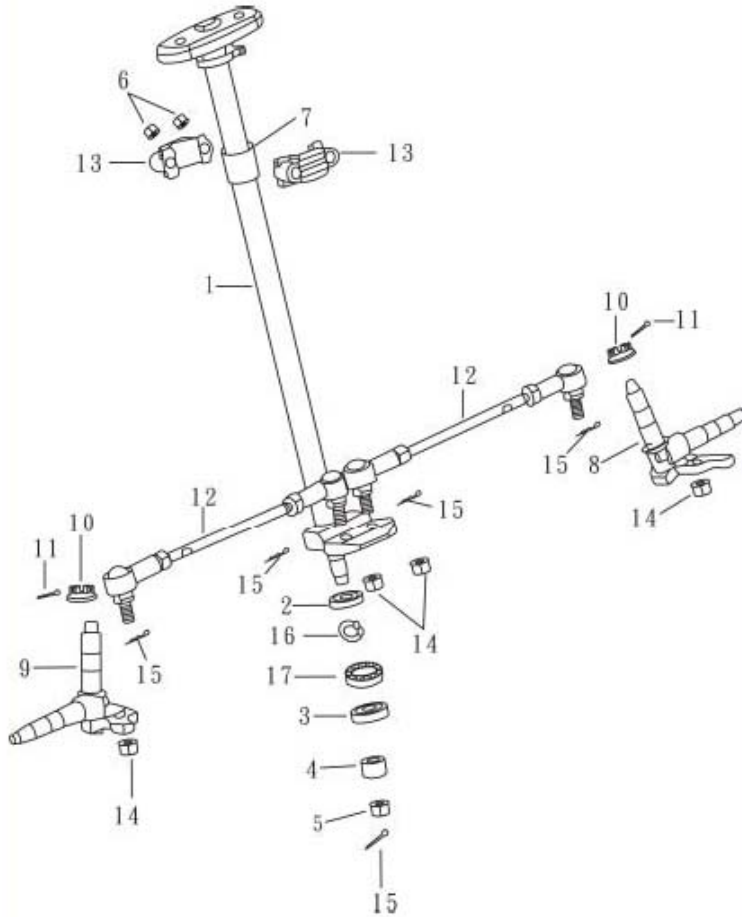
ITEM	UNISON NO.	PARTS NO.	DESCRIPTION	QTY		
				70	90	110
1	16000005	A1A-62110-00-00	FUEL TANK COMP.	1	1	1
2	16000006	A1A-62211-00-00	FUEL TANK CAP	1	1	1
3	16000008	A1A-62371-00-00	FUEL HOSE,1	2	2	2
4	16000013	93404-06016-0A	BOLT W/WASHER 6X16	3	3	3
5	16000003	93404-06020-0A	BOLT W/WASHER 6X20	1	1	1
6	16000007	A1A-62373-00-00	FUEL HOSE,3	1	1	1
7	16000014	A1A-62410-00-00	FUEL FILTER ASSY.	1	1	1
8	16000009	A1A-62372-00-00	FUEL HOSE,2	1	1	1
9	25000010	95800-06012-04	FLANGE BOLT 6X12	1	1	1
10	16000010	A1A-62310-00-00	FUEL COCK ASSY.	1	1	1
11	16000012	94202-12900-00	CLIP	6	6	6



F4**SUSPENSION****70 / 90 / 110 CC**

ITEM	UNISON NO.	PARTS NO.	DESCRIPTION	QTY		
				70	90	110
1	170000915	A1A-57210-00-20	FR.SHOCK ABSORBER ASSY. 2.0KG/MM(black)	2	2	2
2	17000007	95827-10045-00	BOLT W/HOLE 10X40	2	2	2
3	17000001	94061-10000-03	FLANGE U NUT 10MM	11	11	11
4	170000935	A1A-58210-00-00	RR. SHOCK ABSORBER ASSY. (BLACK)	1	1	1
5	44000005	94251-12221-00	SPLIT PIN 1.2X22	2	2	2
6	17000010	95827-10045-04	BOLT W/HOLE 10X45	4	4	4
7	18000015	94201-22305-03	SPLIT PIN 2.2X30.5	4	4	4



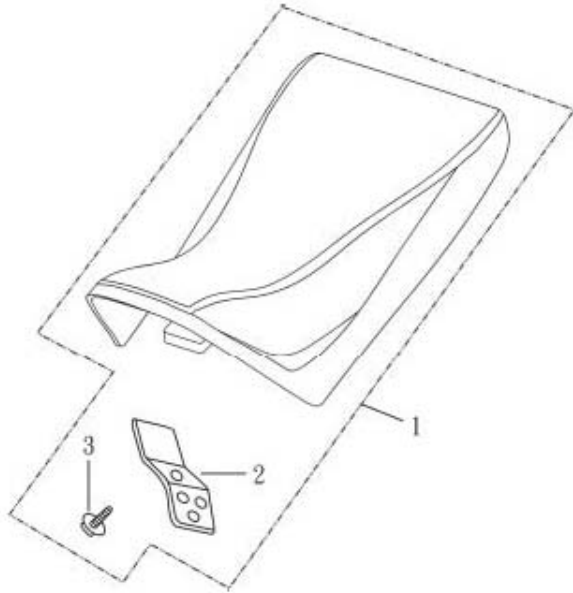
F5**STEERING****70 / 90 / 110 CC**

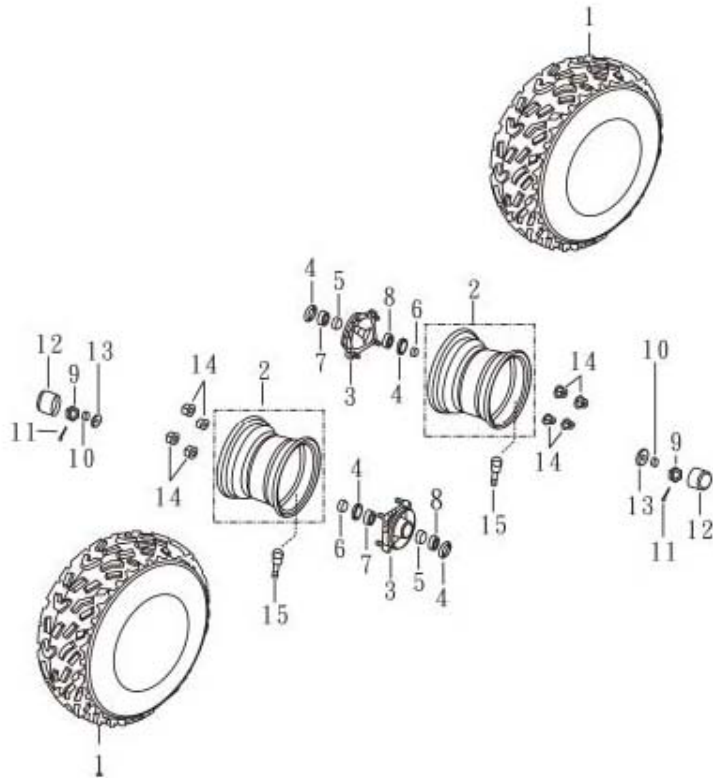
ITEM	UNISON NO.	PARTS NO.	DESCRIPTION	QTY		
				70	90	110
1	18000001	A1A-72140-00-00	SHAFT STEERING	1	1	1
2	18000002	91201-18032-70	OIL SEAL 18X32X7	1	1	1
3	18000005	91201-22035-70	OIL SEAL 22X35X7	4	4	4
4	18000004	A1A-55446-00-00	COLLAR	4	4	4
5	12000001	94061-14000-01	FLANGE U NUT 14MM	2	2	2
6	14000020	94051-08000-03	FLANGE NUT 8MM	6	6	6
7	18000007	A1A-72158-00-00	SLEEVE	1	1	1
8	18000008	A1A-72144-00-00	KNUCKLE,1	1	1	1
9	18000009	A1A-72154-00-00	KNUCKLE,2	1	1	1
10	18000010	A1A-72168-00-00	NUT 10MM	2	2	2
11	18000003	94201-18213-03	SPLIT PIN 1.8X21.3	4	4	4
12	18000011	A1A-72143-00-10	STEERING TIE. ROD ASSY.1	2	2	2
13	18000012	A1A-72146-00-00	HOLDER, STEERING SHAFT	2	2	2
14	18000023	94060-10000-03	FLANGE NUT	4	4	4
15	18000015	94201-22305-03	SPLIT PIN 2.2X30.5	4	4	4
16	18000014	94521-12320-00	C CLIP	1	1	1
17	18000006	96123-06002-20	BEARING 6002ZZ	1	1	1



F6**SEAT ASSY.****70 / 90 / 110 CC**

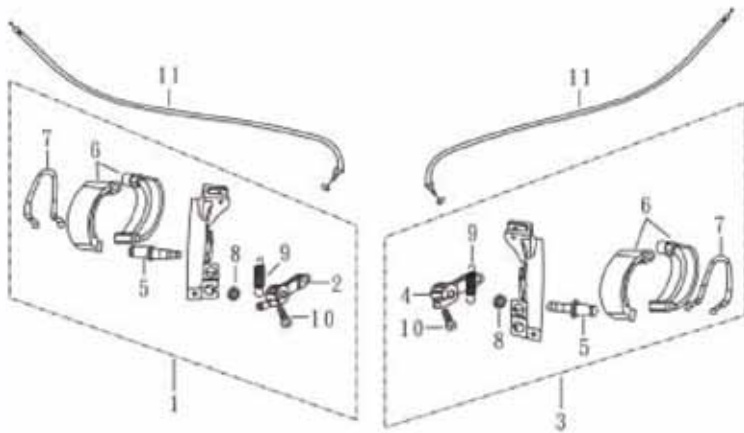
ITEM	UNISON NO.	PARTS NO.	DESCRIPTION	QTY		
				70	90	110
1	19000005	A1A-76111-00-12	SEAT ASSY.	1	1	1
2	19000001	A1A-76162-00-00	BRACKET	1	1	1
3	19000006	93900-04012-04	TAPPING SCREW 4X12	2	2	2



F7**FRONT WHEEL****70 / 90 / 110 CC**

ITEM	UNISON NO.	PARTS NO.	DESCRIPTION	QTY		
				70	90	110
1	20000011	A2A-53311-00-00	TIRE 19X7-8	2	2	2
2	20000012	A2A-53210-00-00	WHEEL COMP.8X5.5	2	2	2
3	20000001	A1A-55442-00-00	FRONT BRAKE DRUM	2	2	2
4	18000005	91201-22035-70	OIL SEAL 22X35X7	4	4	4
5	20000005	A1A-55456-00-00	COLLAR	2	2	2
6	18000004	A1A-55446-00-00	COLLAR	2	2	2
7	20000003	96120-06003-10	BALL BEARING 6003Z	2	2	2
8	20000002	96120-06002-10	BALL BEARING 6002Z	2	2	2
9	20000007	A1A-53266-00-00	CASTLE NUT 12MM	2	2	2
10	20000004	A1A-53257-00-00	WASHER	2	2	2
11	18000015	94201-22305-03	SPLIT PIN 2.2X30.5	4	4	4
12	20000008	A1A-53268-00-00	RUBBER CAP	2	2	2
13	20000018	A1A-53256-00-00	WASHER	2	2	2
14	17000001	94061-10000-03	FLANGE U NUT 10MM	11	11	11
15	20000006	A1A-53322-00-00	RIM VALVE	2	2	2



F8**FRONT BRAKE****70 / 90 / 110 CC**

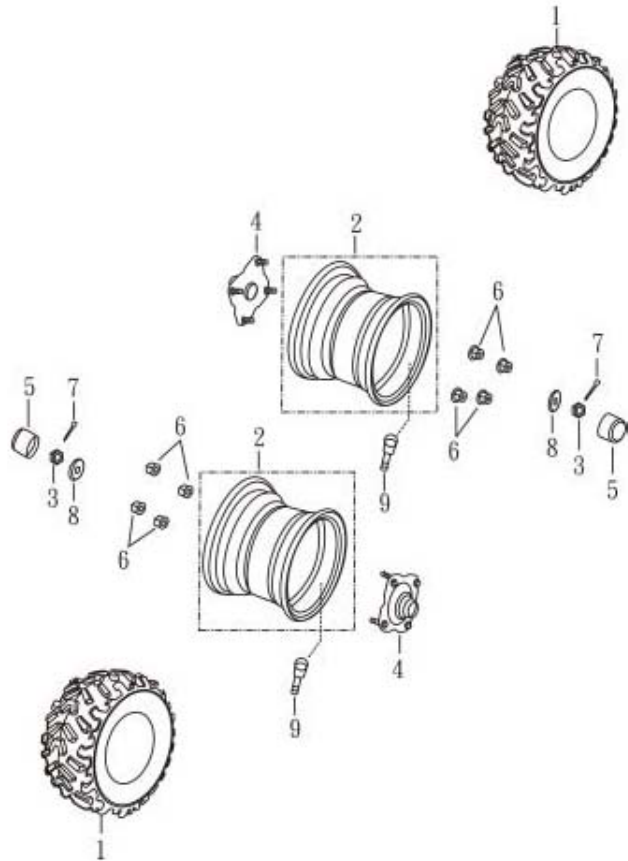
ITEM	UNISON NO.	PARTS NO.	DESCRIPTION	QTY		
				70	90	110
1	21000001	A1A-55450-00-00	FRONT BRAKE PANEL ASSY,R	1	1	1
2	21000028	A1A-55612-00-00	CAM SHAFT LEVER,2	1	1	1
3	21000002	A1A-55440-00-00	FRONT BRAKE PANEL ASSY.L	1	1	1
4	21000003	A1A-55611-00-00	CAM SHAFT LEVER,1	1	1	1
5	21000004	A1A-55621-00-00	CAM SHAFT,1	2	2	2
6	21000005	A1A-55420-00-00	BRAKE SHOE SET	4	4	4
7	21000006	A1A-55461-00-00	SPRING	2	2	2
8	21000007	A1A-55638-00-00	DUST SEAL	2	2	2
9	21000008	A1A-55635-00-00	TENSION SPRING	2	2	2
10	21000009	A1A-55616-00-00	BOLT 5X23	2	2	2
11	21000010	A1A-68111-00-00	BRAKE CABLE,1	2	2	2



F9

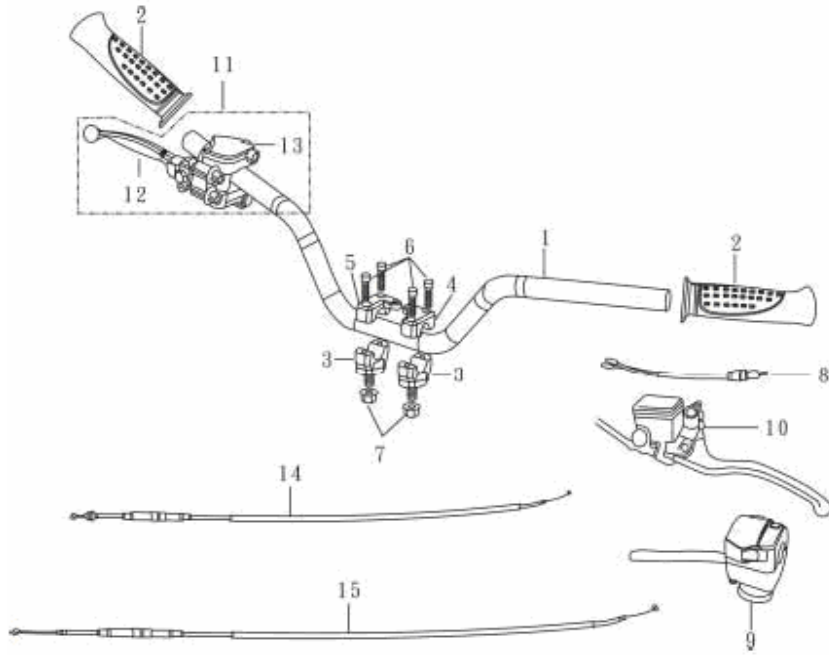
REAR WHEEL

70 / 90 /110 CC



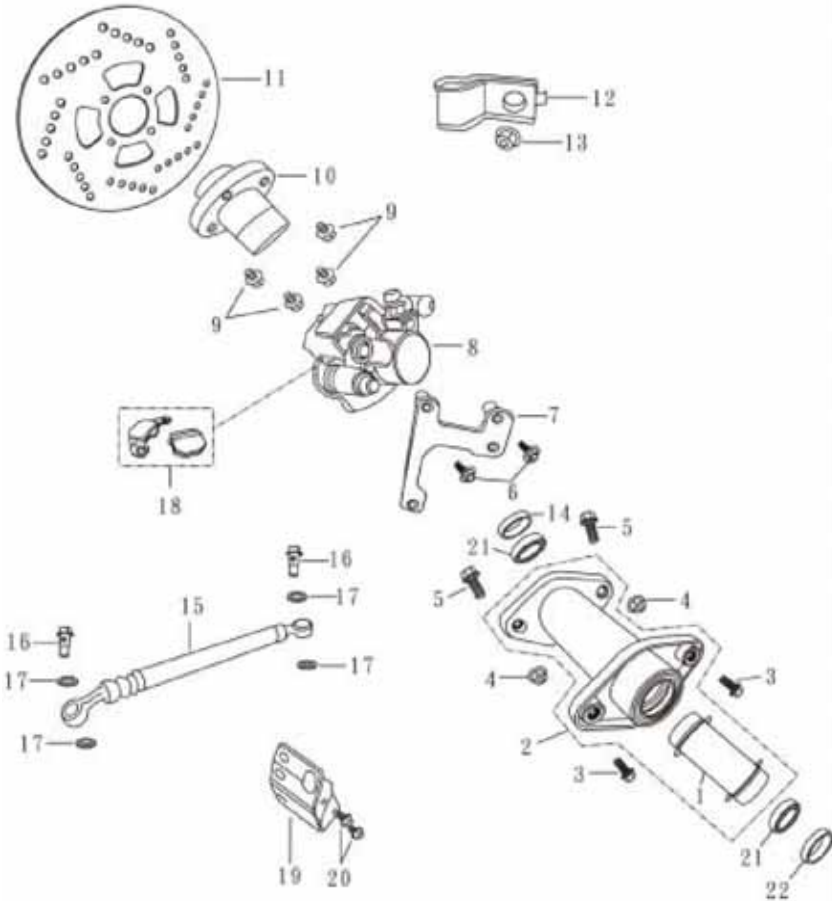
ITEM	UNISON NO.	PARTS NO.	DESCRIPTION	QTY		
				70	90	110
1	22000006	A2A-54311-00-00	TIRE 18X9.5-8	2	2	2
2	22000007	A2A-53210-00-00	WHEEL COMP. 8X5.5	2	2	2
3	22000001	A1A-54266-00-00	CASTLE NUT 14MM	2	2	2
4	22000002	A1A-54223-00-00	REAR WHEEL CONNECTER	2	2	2
5	20000008	A1A-53268-00-00	RUBBER CAP	2	2	2
6	17000001	94061-10000-03	FLANGE U NUT 10MM	11	11	11
7	17000011	94201-22305-03	SPLIT PIN 2.2X30.5	4	4	4
8	22000004	A1A-54256-00-00	WASHER	2	2	2
9	20000006	A1A-53322-00-00	RIM VALVE	2	2	2



F10**HANDLE BAR****70 / 90 / 110 CC**

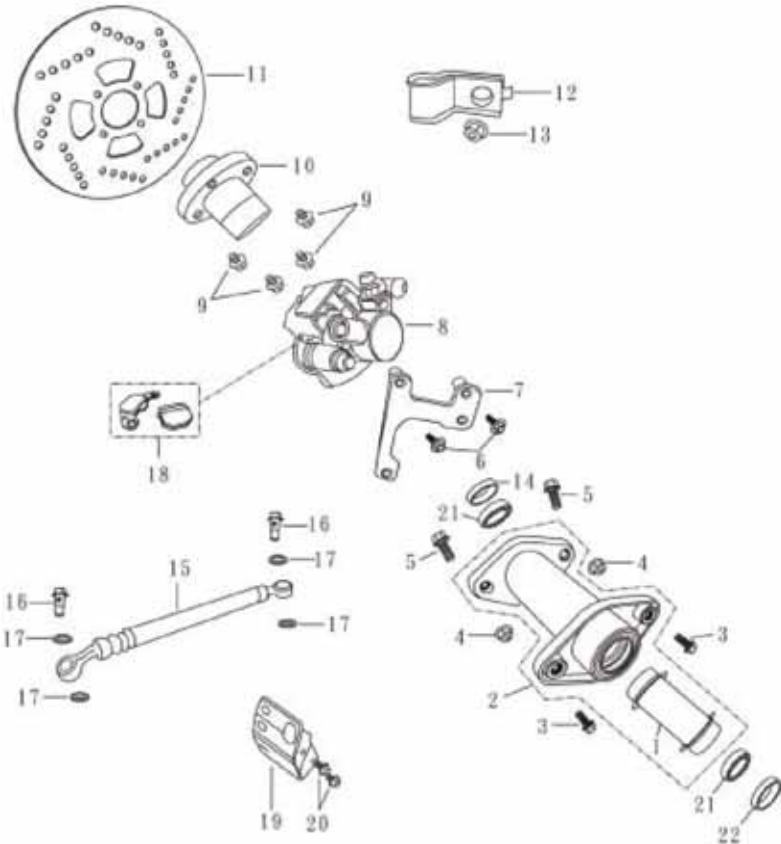
ITEM	UNISON NO.	PARTS NO.	DESCRIPTION	QTY		
				70	90	110
1	23000017	A1A-72110-00-10	HANDLE COMP.	1	1	1
2	23000001	A1A-72251-00-01	GRIP	2	2	2
3	23000018	A1A-72222-00-10	HANDLE HOLDER ASSY.	2	2	2
4	23000005	A1A-72225-00-00	HANDLE HOLDER COVER,1	1	1	1
5	23000006	A1A-72235-00-00	HANDLE HOLDER COVER,2	1	1	1
6	23000003	96700-06025-02	SOCKET BOLT 6X25	4	4	4
7	17000001	94061-10000-03	FLANGE U NUT 10MM	11	11	11
8	23000020	A1A-56012-00-00	STOP SWITCH ASSY.	1	1	1
9	23000021	A9A-37700-00-00	LEFT HANDLE SWITCH ASSY.	1	1	1
10	23000022	A1A-56010-00-00	MASTER CYLINDER	1	1	1
11	23000023	A2A-37850-00-02	LEVEL ASSY. RIGHT	1	1	1
12	23000024	A2A-72263-00-00	RIGHT LEVER	1	1	1
13	23000025	A2A-37851-00-02	RIGHT BODY	1	1	1
14	23000026	C4A-68610-00-00	MANUAL CHOCK CABLE	1	1	1
15	23000027	C4A-68410-00-00	THROTTLE CABLE ASSY.	1	1	1



F11**REAR DISK ASSY.****70 / 90 / 110CC**

ITEM	UNISON NO.	PARTS NO.	DESCRIPTION	QTY		
				70	90	110
1	31000013	A1A-54522-00-01	SPACER TUBE	1	1	1
2	44000001	A1A-54521-00-01	REAR WHEEL AXLE SEAT	1	1	1
3	31000001	95800-12028-02	FLANGE BOLT (BLACK)	2	2	2
4	44000013	94060-12000-03	FLANGE NUT 12MM	2	2	2
5	31000002	95800-12050-02	BOLT 12X50	2	2	2
6	44000015	95701-08027-01	BOLT 8X27	2	2	2
7	44000008	A1A-56022-00-10	CALIPER STAY	1	1	1
8	44000004	A1A-56020-00-10	CALIPER ASSY	1	1	1
9	31000004	96700-06014-04	SOCKET BOLT 6X14	4	4	4
10	44000018	A1A-56034-00-00	BRAKE DISK STAY	1	1	1
11	44000019	A1A-56033-00-00	BRAKE DISK	1	1	1
12	31000007	A1A-56044-00-00	BRAKE HOSE HOLDER	2	2	2
13	14000035	94050-08000-03	FLANGE NUT 8MM	4	4	4
14	24000001	91201-35055-11	OIL SEAL 35X55X11	1	1	1
15	31000009	A1A-56043-00-00	BRAKE HOSE	1	1	1



F11**REAR DISK ASSY.****70 / 90 / 110CC**

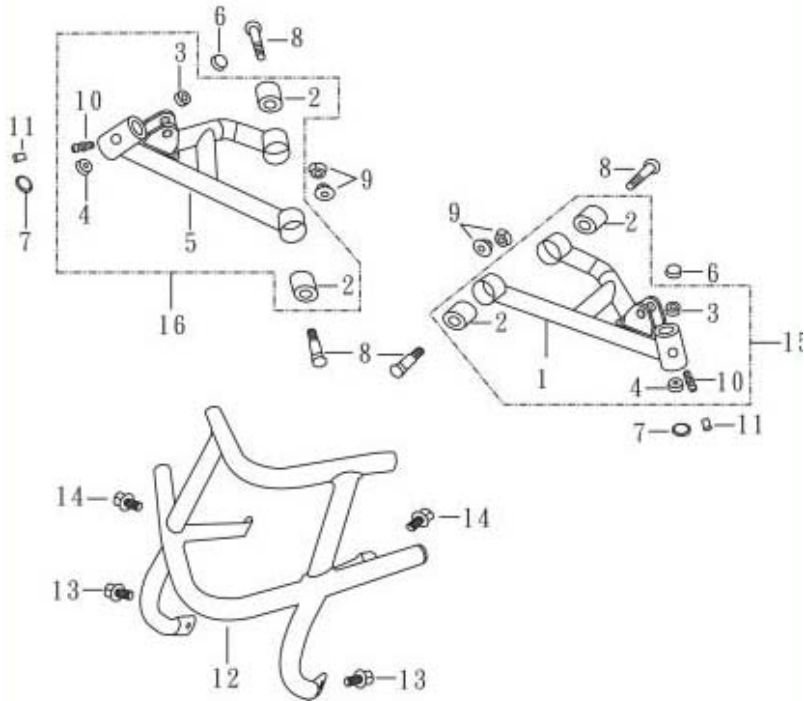
ITEM	UNISON NO.	PARTS NO.	DESCRIPTION	QTY		
				70	90	110
16	44000024	A1A-56027-00-10	HOSE BOLT	8	8	8
17	31000014	94101-10143-50	PLATE WASHER	16	16	16
18	44000026	A1A-56023-00-10	BRAKE PAD SET	1	1	1
19	44000027	A1A-56443-00-00	REAR BRAKE COVER	1	1	1
20	29000003	95800-08012-02	FLANGE BOLT 8X12	4	4	4
21	24000003	96120-06006-20	BALL BEARING 6006Z	2	2	2
22	24000006	91201-40055-70	OIL SEAL 40X55X7	1	1	1



F12

SWING ARM / FOOTREST / FEND BAR

70 / 90 /110 CC



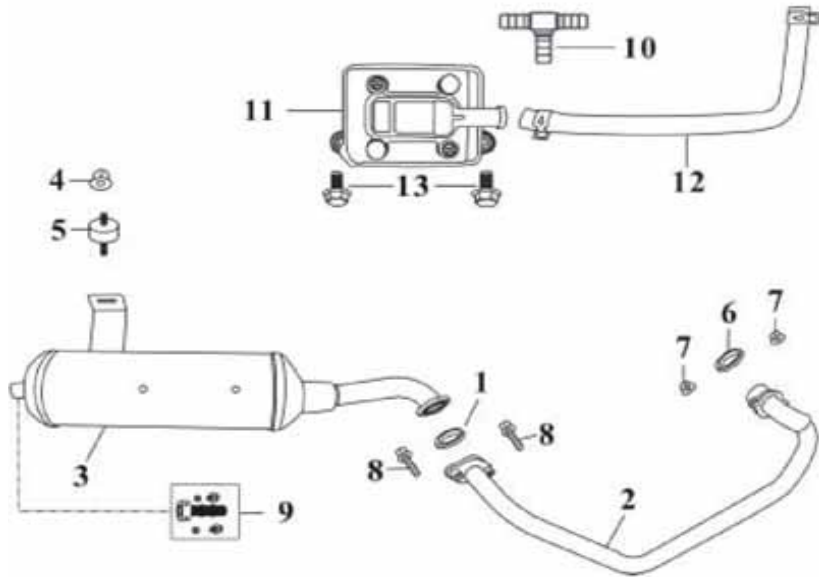
ITEM	UNISON NO.	PARTS NO.	DESCRIPTION	QTY		
				70	90	110
1	25000022	A1A-57311-00-00	FRONT SWING ARM,1	1	1	1
2	25000002	A1A-57339-00-00	BUSH	4	4	4
3	25000003	A1A-57358-00-00	BUSH CONTAIN OIL,2	2	2	2
4	25000004	A1A-57357-00-00	BUSH CONTAIN OIL,1	2	2	2
5	25000008	A1A-57321-00-00	FRONT SWING ARM,2	1	1	1
6	25000006	A1A-57329-00-00	WATERPROOF COVER	2	2	2
7	25000007	A1A-57336-00-00	DUST SEAL	2	2	2
8	25000024	95801-10048-02	FLANGE BOLT 10X48	4	4	4
9	17000001	94061-10000-03	FLANGE U NUT 10MM	11	11	11
10	25000011	A1A-57367-00-00	GREASE VALVE	6	6	6
11	25000005	A1A-57368-00-00	GREASE VALVE CAP	2	2	2
12	25000009	A1A-52151-60-00	FRONT FENDER ROD	1	1	1
13	14000019	95800-08016-02	FLANGE BOLT 8X16	8	8	8
14	25000027	95800-06012-02	FLANGE BOLT 6X12	2	2	2
15	25000001	A1A-57310-00-00	FRONT SWING ARM ASSY,1	1	1	1
16	25000092	A1A-57320-00-00	FRONT SWING ARM ASSY,2	1	1	1



F13

MUFFLER ASSY

70 / 90 / 110 CC



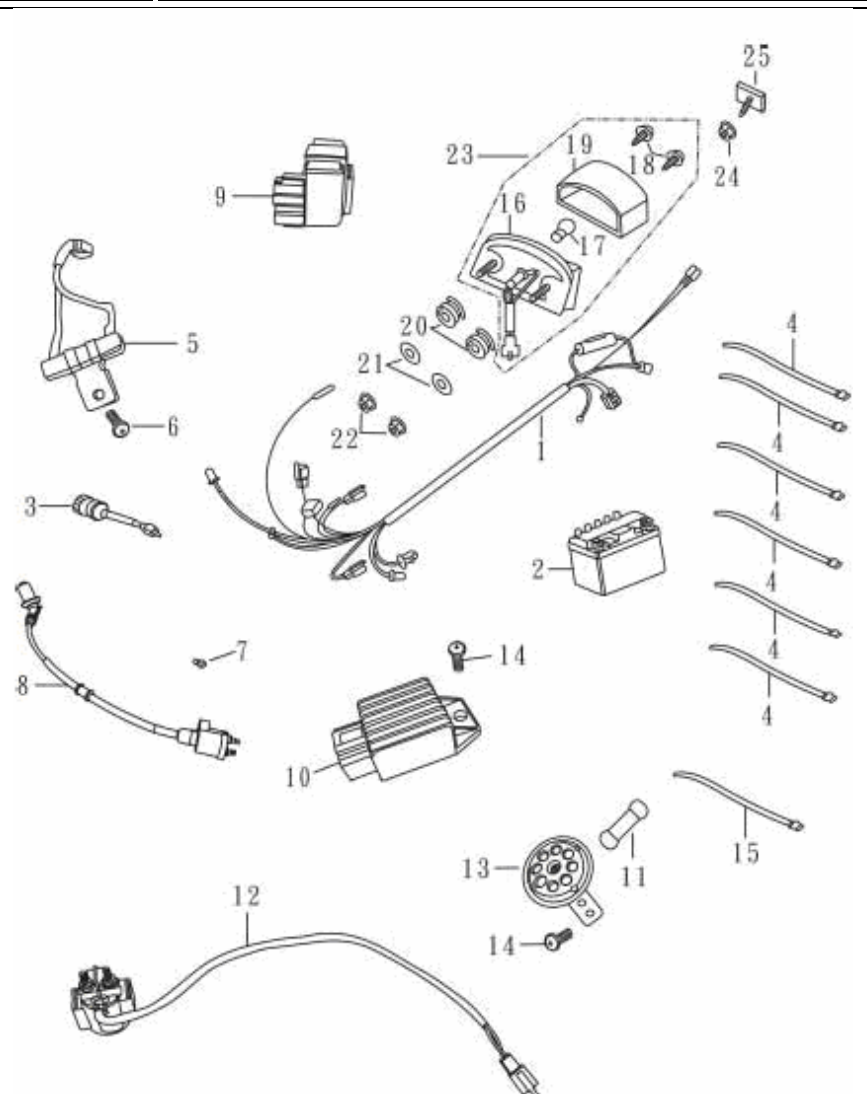
ITEM	UNISON NO.	PARTS NO.	DESCRIPTION	QTY		
				70	90	110
1	26000016	A1A-28141-00-00	EXHAUST PIPEGASKET (29X36X4.8)	1	1	1
2	26000017	C4D-28220-00-00	FR PIPE COMP	1	1	1
3	26000018	C4D-28230-00-00	REAR PIPE ASSY	1	1	1
4	14000020	94051-08000-03	FLANGE NUT 8MM	6	6	6
5	26000003	A1A-28156-00-00	DAMPER	1	1	1
6	26000012	A4A-28131-00-00	EXHAUST PIPEGASKET (26.2X33.1X3.7)	2	2	2
7	26000020	94050-06000-01	FLANGE NUT 6MM	2	2	2
8	26000013	95800-06025-02	FLANGE BOLT 6X25	4	4	4
9	26000092	A1A-28260-00-00	SPARK COLLECTOR	1	1	1
10	26000021	C4A-12382-00-00	THREE WAY CONNECT	1	1	1
11	26000022	A3D-62810-00-00	REED VALVE ASSY.	1	1	1
12	26000023	A3D-62814-00-00	INTAKE AIR DUCT	2	2	2
13	25000010	95800-06012-04	FLANGE BOLT 6X12	5	5	5



F14

ELECTRICAL PARTS

70 / 90 / 110 CC



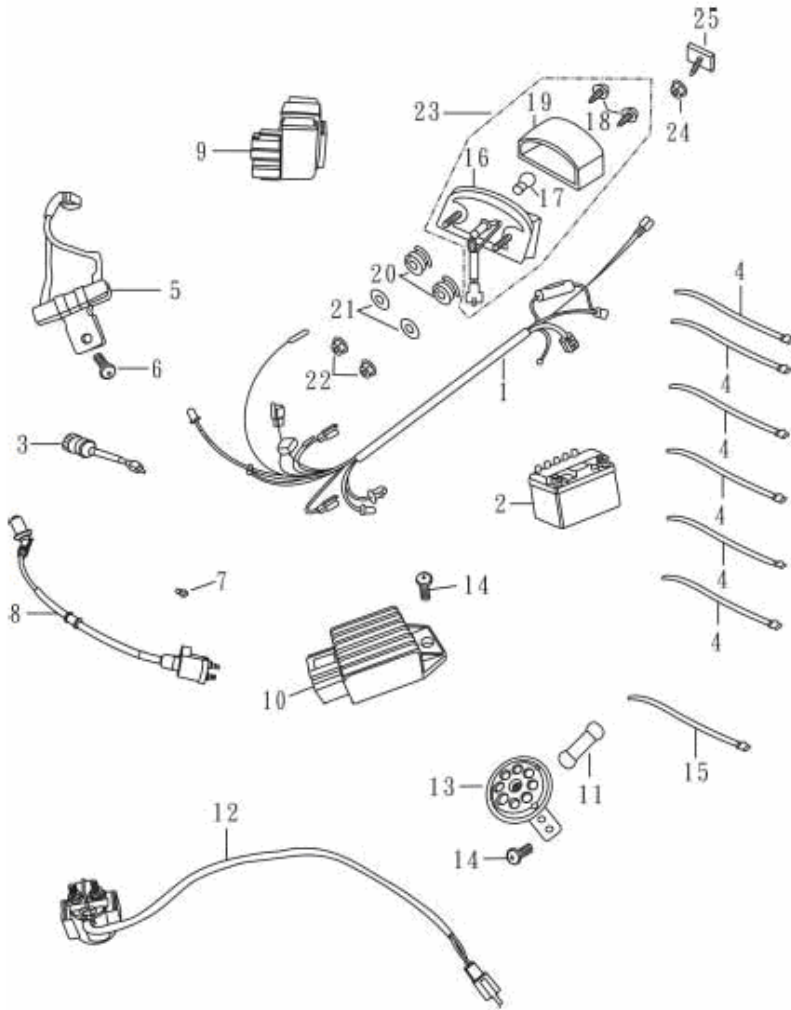
ITEM	UNISON NO.	PARTS NO.	DESCRIPTION	QTY		
				70	90	110
1	27000036	C4A-33610-00-00	WIRE HARNESS ASSY.	1	1	1
2	27000092	A1A-33410-00-01	BATTERY ASSY.	1	1	1
3	27000038	A9A-66210-00-00	MAIN SWITCH ASSY.	1	1	1
4	27000039	94402-02502-01	BAND 250	10	10	10
5	27000007	A1A-38410-00-00	RESISTOR COMP.	1	1	1
6	07000021	93500-06012-03	PAN HEAD SCREW 6X12	3	3	3
7	27000029	93500-05022-02	BOLT 5X22	1	1	1
8	27000030	M4A-33140-00-00	IGNITION COIL ASSY.	1	1	1
9	27000042	M4C-33110-00-00	C.D.I ASSY. (90,110CC)	1	1	1
10	27000032	M4A-31310-00-00	REG. REC. COMP.	1	1	1
11	15000012	A1A-81113-00-01	RUBBER	1	1	1
12	27000045	M4A-38310-00-00	STARTER RELAY ASSY.	1	1	1
13	27000010	A1A-38210-00-00	HORN	1	1	1
14	25000010	95800-06012-04	FLANGE BOLT 6X12	5	5	5
15	27000002	94404-03001-01	BAND 300MM	1	1	1



F14

ELECTRICAL PARTS

70 / 90 /110 CC



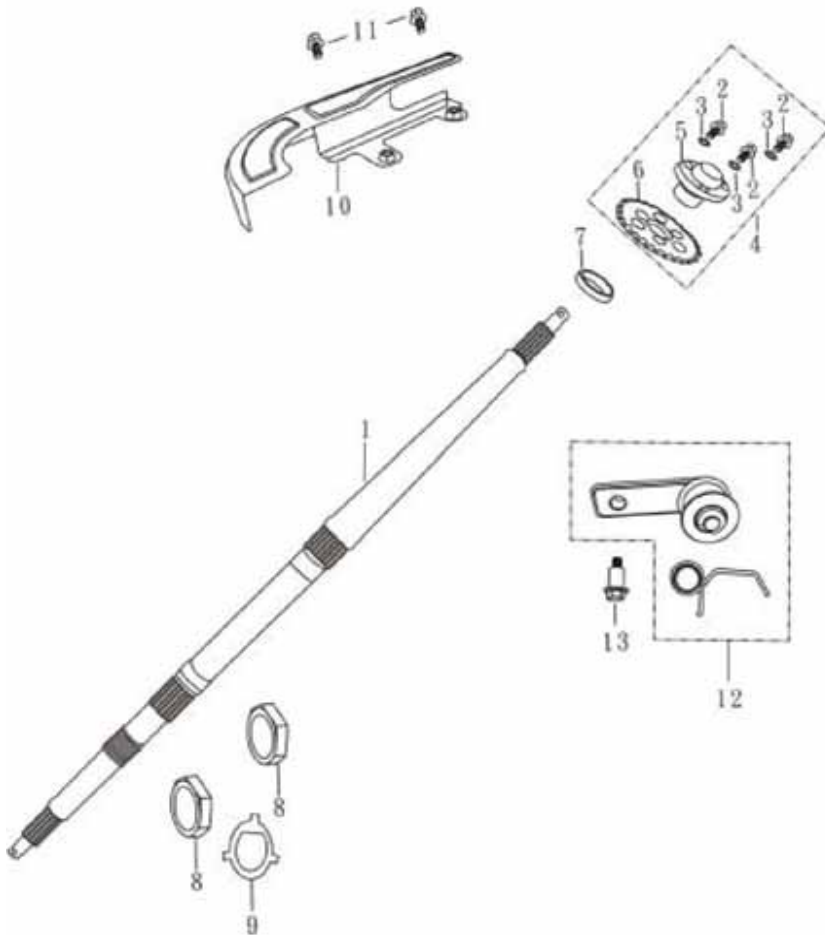
ITEM	UNISON NO.	PARTS NO.	DESCRIPTION	QTY		
				70	90	110
16	27000011	A1A-35411-00-00	TAIL LIGHT BASE	1	1	1
17	27000047	A1A-35451-00-00	BULB 12V-21/5W	1	1	1
18	27000012	93910-04038-03	TAPPING SCREW 4X38	2	2	2
19	27000013	A1A-35412-00-00	TAIL LIGHT LENS	1	1	1
20	14000044	A1A-52158-00-00	DAMPER,3	7	7	7
21	09000002	94101-06193-00	PLATE WASHER 6MM	4	4	4
22	15000014	94051-06000-01	FLANGE U NUT 6MM	14	14	14
23	27000094	A1A-35400-00-00	TAIL LIGHT ASSY.	1	1	1
24	27000016	94050-05000-01	FLANGE NUT 5MM	1	1	1
25	27000015	A1A-35427-00-00	RR. REFLECTOR (E MARK)	2	2	2



F15

REAR WHEEL AXLE

**70 / 90 /110
CC**



ITEM	UNISON NO.	PARTS NO.	DESCRIPTION	QTY		
				70	90	110
1	28000002	C4A-54511-00-00	REAR WHEEL AXLE	1	1	1
2	14000010	95800-08020-02	FLANGE BOLT 8X20	4	4	4
3	28000003	94111-08145-33	SPRING WASHER 8MM	3	3	3
4	28000013	A1A-26950-00-00	SPROCKET ASSY.428-35T	1	1	1
5	28000004	A1A-26955-00-00	SPROCKET HOLDER	1	1	1
6	28000014	A1B-26930-00-00	SPROCKET	1	1	1
7	28000006	A1A-26956-00-00	COLLAR	1	1	1
8	28000007	A1A-54524-00-00	CASTLE NUT 28MM	2	2	2
9	28000092	A1A-54537-00-00	WASHER	1	1	1
10	28000015	A1B-26942-00-00	CHAIN CASE,2	1	1	1
11	14000016	95800-08014-02	FLANGE BOLT 8X14	14	14	14
12	28000017	C1A-26970-00-00	CHAIN TENSIONER ASSY	1	1	1
13	28000018	A1A-26973-00-00	CHAIN TENSIONER BOLT	1	1	1



F16

CHAIN

**70 / 90 /110
CC**

ITEM	UNISON NO.	PARTS NO.	DESCRIPTION	QTY		
				70	90	110
1	29000009	C4A-26960-00-00	DRIVE CHAIN 428HX96	1	1	1
2	29000002	A1A-26941-00-00	CHAIN CASE,1	1	1	1
3	29000003	95800-08012-02	FLANGE BOLT 8X12	3	3	3
4	29000012	A4A-56471-00-00	CHAIN ADJUSTER ASSY,1	2	2	2
4-1	29010701	A1A-56470-00-10	CHAIN ADJUSTER ASSY,1 (70cc)	1	0	0
5	29000011	94001-08000-03	HEX. NUT 8MM	6	6	6

